



**MIAMI-DADE COUNTY**  
**BUILDING CODE COMPLIANCE OFFICE (BCCO)**  
**PRODUCT CONTROL DIVISION**

MIAMI-DADE COUNTY, FLORIDA  
 METRO-DADE FLAGLER BUILDING  
 140 WEST FLAGLER STREET, SUITE 1603  
 MIAMI, FLORIDA 33130-1563  
 (305) 375-2901 FAX (305) 372-6339

**NOTICE OF ACCEPTANCE (NOA)**

[www.miamidade.gov/buildingcode](http://www.miamidade.gov/buildingcode)

**Eastern Wholesale Fence Company, Inc.**  
**274 Middle Island Rd.**  
**Medford, NY 11763**

**SCOPE:**

This NOA is being issued under the applicable rules and regulations governing the use of construction materials. The documentation submitted has been reviewed by Miami-Dade County Product Control Division and accepted by the Board of Rules and Appeals (BORA) to be used in Miami Dade County and other areas where allowed by the Authority Having Jurisdiction (AHJ).

This NOA shall not be valid after the expiration date stated below. The Miami-Dade County Product Control Division (In Miami Dade County) and/or the AHJ (in areas other than Miami Dade County) reserve the right to have this product or material tested for quality assurance purposes. If this product or material fails to perform in the accepted manner, the manufacturer will incur the expense of such testing and the AHJ may immediately revoke, modify, or suspend the use of such product or material within their jurisdiction. BORA reserves the right to revoke this acceptance, if it is determined by Miami-Dade County Product Control Division that this product or material fails to meet the requirements of the applicable building code.

This product is approved as described herein, and has been designed to comply with the Florida Building Code, including the High Velocity Hurricane Zone.

**DESCRIPTION: Illusions Vinyl Fence**

**APPROVAL DOCUMENT:** Drawing titled "Illusions Fence", sheets 1 through 18 of 18, dated from 10/07/09 and 10/08/09, prepared by Eastern Wholesale Fence, Inc., signed and sealed by Fred S. Cardwell, P.E., bearing the Miami-Dade County Product Control approval stamp with the Notice of Acceptance number and approval date by the Miami-Dade County Product Control Division.

**MISSILE IMPACT RATING: None**

**LABELING:** Each unit shall bear a permanent label with the manufacturer's name:

Eastern Wholesale Fence Co, Inc.	Eastern Wholesale Fence Co, Inc.	Eastern Wholesale Fence Co, Inc.
274/275 Middle Island Rd.	38 Commercial Blvd.	4062-604 Grumman Blvd.
Medford, NY 11763	Medford, NY 11763	Calverton, NY 11933

and following statement: "Miami-Dade County Product Control Approved", unless otherwise noted herein.

**RENEWAL** of this NOA shall be considered after a renewal application has been filed and there has been no change in the applicable building code negatively affecting the performance of this product.

**TERMINATION** of this NOA will occur after the expiration date or if there has been a revision or change in the materials, use, and/or manufacture of the product or process. Misuse of this NOA as an endorsement of any product, for sales, advertising or any other purposes shall automatically terminate this NOA. Failure to comply with any section of this NOA shall be cause for termination and removal of NOA.

**ADVERTISEMENT:** The NOA number preceded by the words Miami-Dade County, Florida, and followed by the expiration date may be displayed in advertising literature. If any portion of the NOA is displayed, then it shall be done in its entirety.

**INSPECTION:** A copy of this entire NOA shall be provided to the user by the manufacturer or its distributors and shall be available for inspection at the job site at the request of the Building Official.

This NOA consists of this page 1, evidence page E-1, as well as approval document mentioned above.

The submitted documentation was reviewed by **Carlos M. Utrera, P.E.**



*[Handwritten Signature]*  
 11/12/09

NOA No. 09-0826.07  
 Expiration Date: December 09, 2014  
 Approval Date: December 09, 2009  
 Page 1

**NOTICE OF ACCEPTANCE: EVIDENCE SUBMITTED**

**A. DRAWINGS**

1. Drawing titled "Illusions Fence", sheets 1 through 18 of 18, dated from 10/07/09 and 10/08/09, prepared by Eastern Wholesale Fence, Inc., signed and sealed by Fred S. Cardwell, P.E.

**B. TESTS**

1. Test reports on 1) Dynamic Wind Load Testing,  
2) Static Load Post Testing,  
along with marked-up drawings and installation diagram of 4 ft, 6ft and 8 ft high vinyl Illusions fence systems, prepared by Architectural Testing, Inc., Test Report No. **87954.01-119-18**, dated 05/06/09, with Revision 4 dated 09/16/09, signed and sealed by Joseph A. Reed, P.E.
2. Test reports on 1) Artificial Outdoor Exposure per ASTM G 155-05a,  
2) Tensile Testing per ASTM D 638-03,  
3) Rate of Burning per ASTM D 635-06,  
4) Smoke Density per ASTM D 2843-99,  
5) Self Ignition Temperature per ASTM 1929-96,  
along with marked-up drawings and installation diagram of vinyl Illusions fence systems, prepared by Architectural Testing, Inc., Report No. **87954.03-119-18**, dated 08/18/09, signed and sealed by Joseph A. Reed, P.E.

**C. CALCULATIONS**

1. Fence foundation calculations, dated 10/16/09, prepared, signed and sealed by Fred S. Cardwell, P.E.

**D. QUALITY ASSURANCE**

1. Miami Dade Building Code Compliance Office (BCCO).

**E. MATERIAL CERTIFICATIONS**

1. None.

**F. STATEMENTS**

1. Statement letter of code conformance and no financial interest, dated 10/16/09, issued, signed and sealed by Fred S. Cardwell, P.E.
2. Laboratory code compliance letters for Test Reports No. **87954.01-119-18** and, **87954.03-119-18**, both issued by Architectural Testing, Inc., dated 05/08/09 and 08/17/09 respectively, signed and sealed by Joseph A. Reed, P.E.



11/12/09

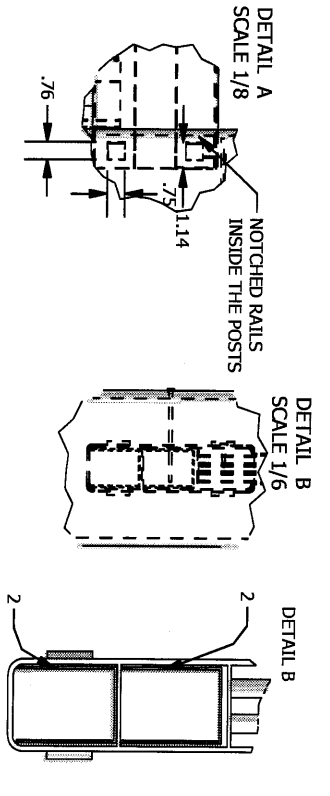
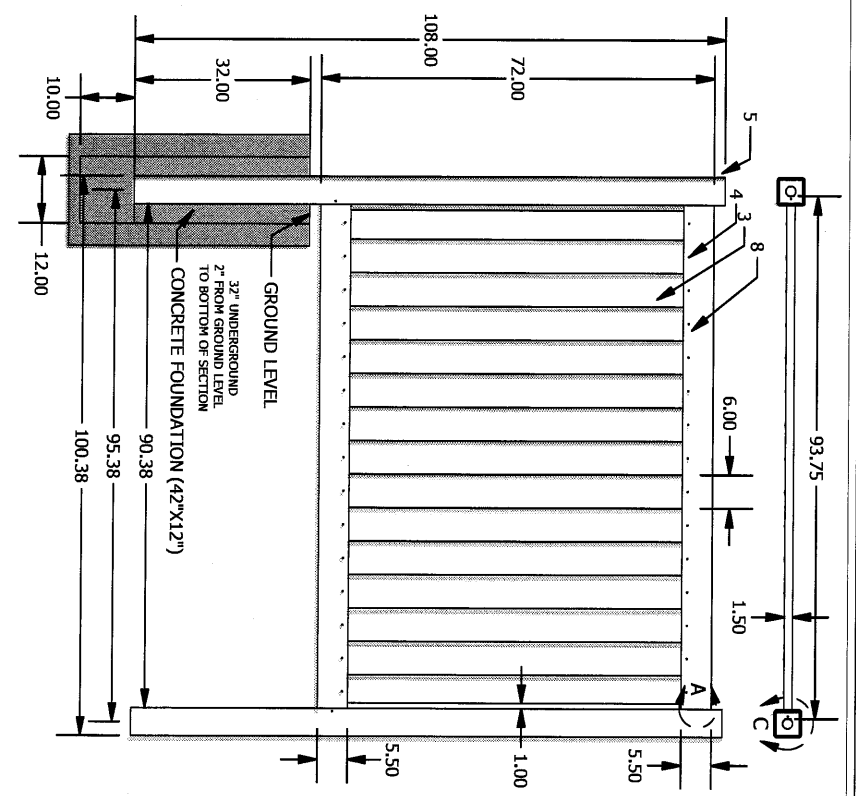
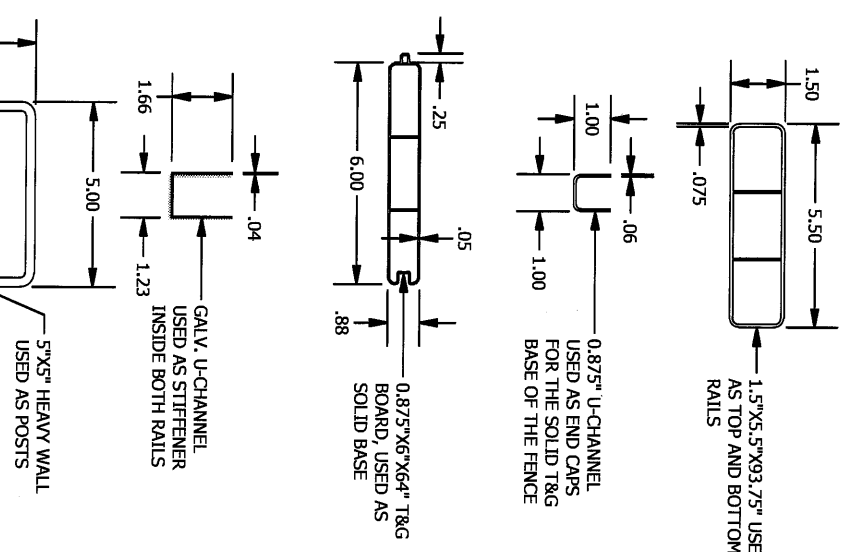
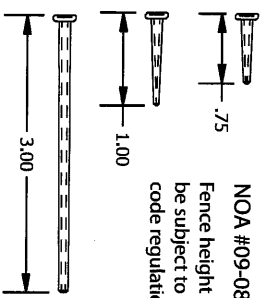
---

Carlos M. Utrera, P.E.  
Product Control Examiner  
NOA No. 09-0826.07  
Expiration Date: December 09, 2014  
Approval Date: December 09, 2009

Specification	Value	ASTM
Control Tensile Strength, PSI	6372	D-638
Weathered Tensile Strength, PSI	6690	D-638
Percentage Change	+4.50%	D-638
Rate of Burning	0.0 mm/min	D-635
Smoke Density	63.5	D-2843
Self Ignition	380 C	D-1929

Approved as exempting with the Florida Building Code  
 Date 12/01/2009  
 NOA# 09-0826.07  
 Miami Dade Product Council  
 Division of Building  
 By *[Signature]*

NOA #09-0826.07  
 Fence height may be subject to local code regulations



\*OFFERED IN THREE COLORS (WHITE-TAN-GRAY)

ITEM	QTY	PART DESCRIPTION
1	2	0.875\"/>
2	4	GALV. U-CHANNEL
3	15	64\"/>
4	30	0.75\"/>
5	2	5\"/>
6	2	POST INSERT
7	2	1\"/>
8	2	1.5\"/>
9	2	3\"/>

FRED S. CARDWELL, P.E.  
 16-22-09

FLORIDA 15607  
 1000 SOUTH BELCHER RD  
 BLDG-A / UNIT #11  
 LARGO, FLORIDA 33024  
 VOICE: 727-524-1905  
 FAX: 727-524-1299  
 THIS DRAWING IS NOT VALID UNLESS SIGNED IN PURPLE INK

MIAMI-DADE COUNTY 75MPH WIND LOAD FOR HIGH VELOCITY HURRICANE ZONE  
 STYLE# V300-6  
 DESCRIPTION Vinyl 6' High Tongue & Groove Solid Panel

Eastern Wholesale Fence, Inc. - 274 Middle Island Rd, Medford, NY 11763

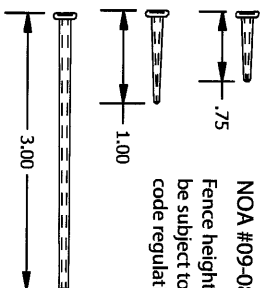


SHEET 1  
 SHEET 1 OF 18  
 10-07-09

Specification	ASTM
Control Tensile Strength PSI	5332
Weathered Tensile Strength PSI	6690
Percentage Change	+5.6%
Rate of Burning	0.0 mm/min
Smoke Density	63.5
Self Ignition	380 C
	D-1929

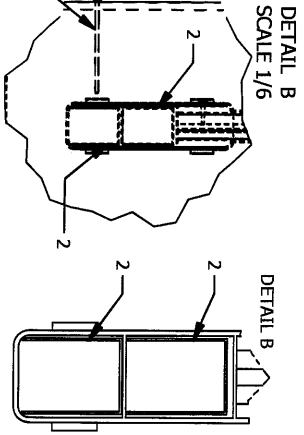
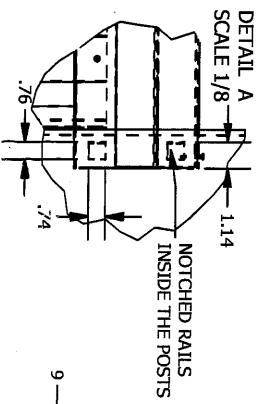
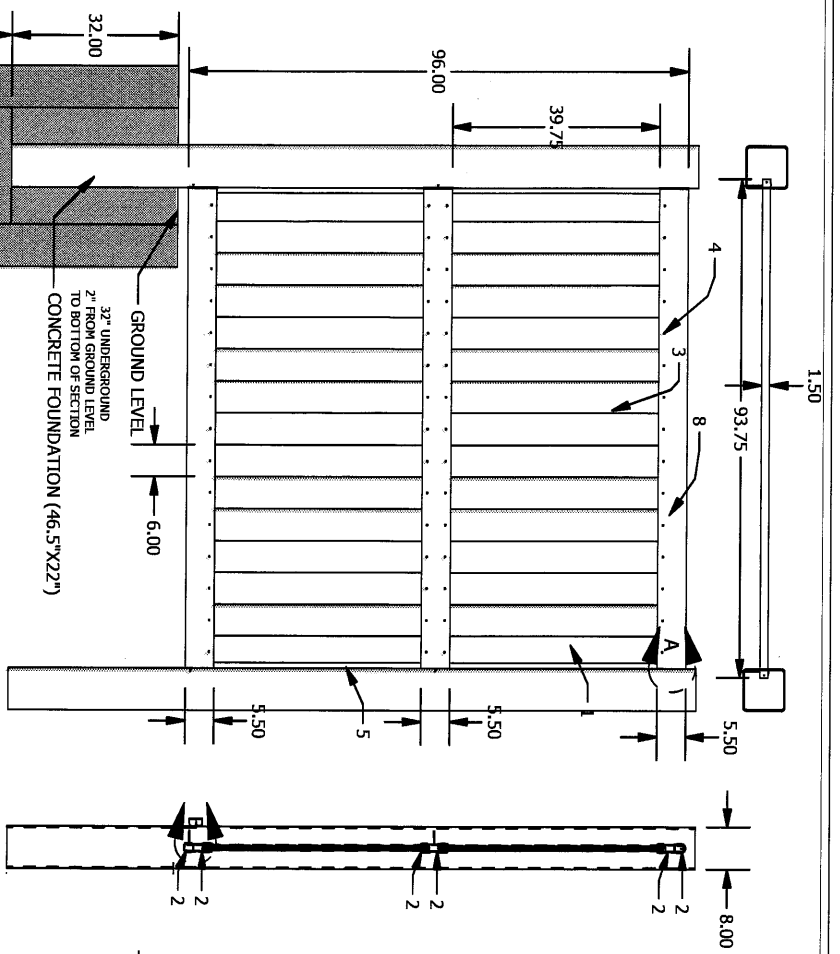
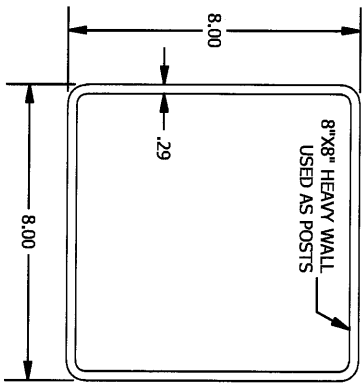
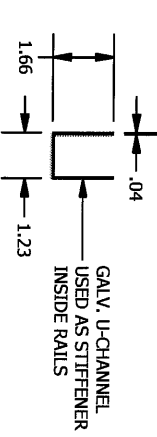
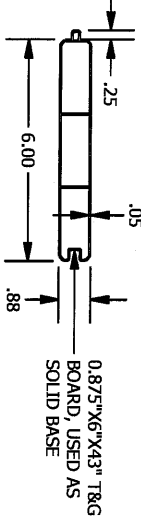
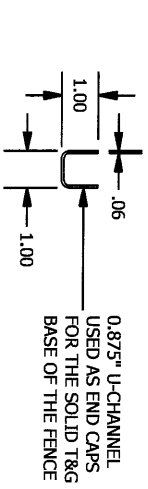
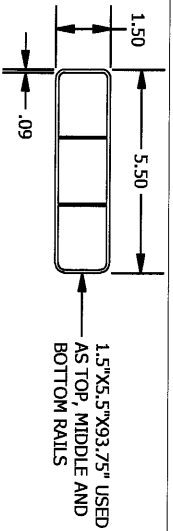
Approved as complying with the Florida Building Code  
 Date: 12/09/2009  
 NOA# 09-0826.07  
 Miami Dade Product Control Division  
 By: [Signature]

NOA #09-0826.07  
 Fence height may be subject to local code regulations



**BILL OF MATERIALS**

ITEM	QTY	PART DESCRIPTION
1	4	0.875" U-CHANNEL
2	6	GALV. U-CHANNEL
3	30	43" T&G BOARD
4	60	0.75" SCREW
5	2	5"x5"x132" HEAVY WALL POST
6	2	POST INSERT
7	2	1" SCREW
8	3	1.5"x5.5" RAIL
9	4	3" SCREW



FRED S. CARDWELL, P.E.  
 18-26-09

FLORIDA 15607  
 1000 SOUTH BELCHER RD  
 BLDG-A / UNIT #11  
 LARGO, FLORIDA 33777  
 VOICE: 727-524-1905  
 FAX: 727-524-1299  
 THIS DRAWING IS NOT VALID UNLESS SIGNED IN PURPLE INK

MIAMI-DADE COUNTY 75MPH WIND LOAD FOR HIGH VELOCITY HURRICANE ZONE  
 STYLE# V300-8  
 DESCRIPTION Vinyl 8" High Tongue & Groove Solid Panel

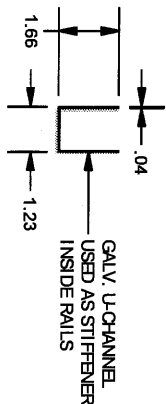
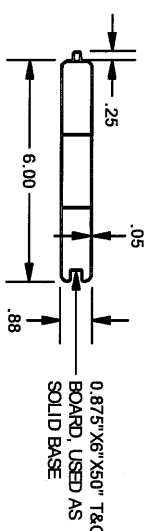
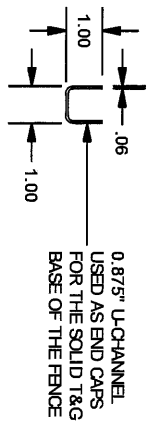
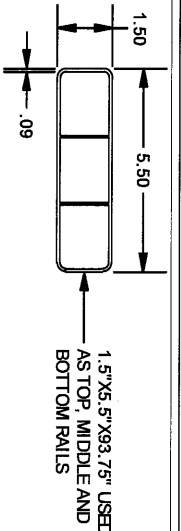
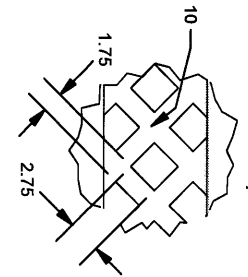
Eastern Wholesale Fence, Inc. - 274 Middle Island Rd, Medford, NY 11763



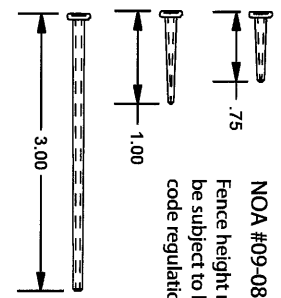
PVC Material Specifications

Specifications	Value	ASTM
Control Tensile Strength PSI	6332	D-638
Weathered Tensile Strength PSI	6690	D-638
Percentage Change	+3.6%	D-638
Rate of Burning	0.0 mm/min	D-635
Smoke Density	63.5	D-2843
Self Ignition	380 C	D-1929

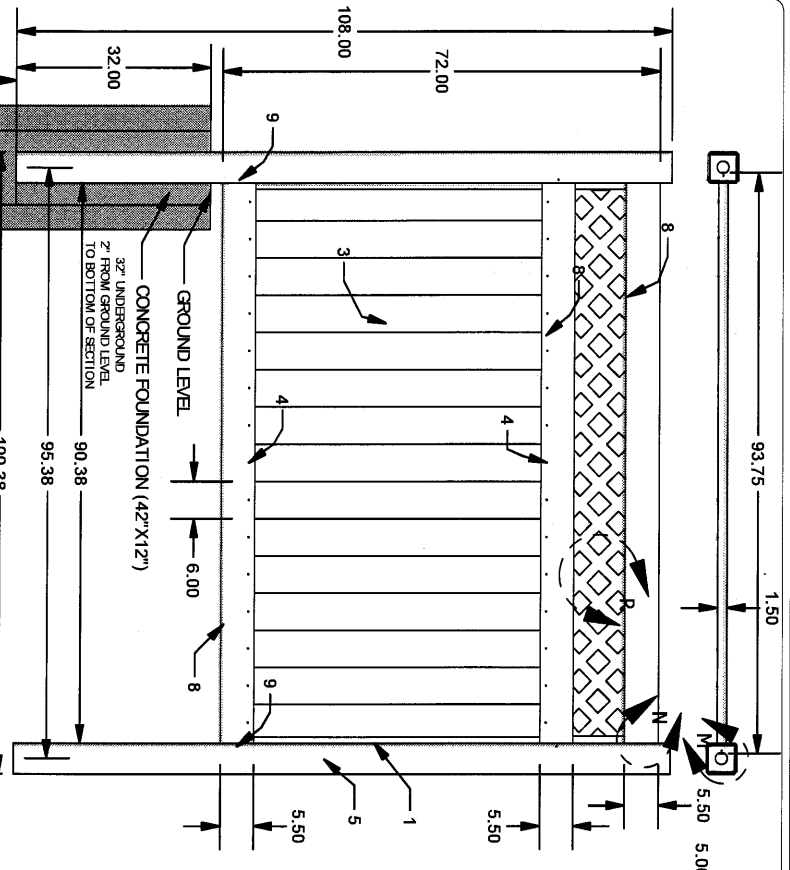
DETAIL R  
SCALE 1 / 15



5"X5" HEAVY WALL  
USED AS POSTS

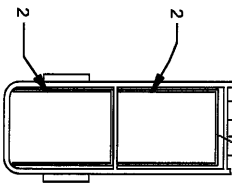


NOA #09-0826.07  
Fence height may be subject to local code regulations

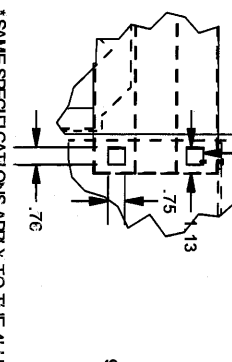


Approved as complying with the Florida Building Code  
Date: 11/07/2007  
NOA# 09-0826.07  
Miami Design Product Control Division

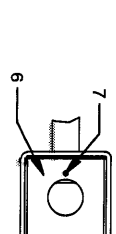
DETAIL P  
SCALE 1 / 5



DETAIL N  
SCALE 1/8



DETAIL M  
SCALE 1 / 10



\* SAME SPECIFICATIONS APPLY TO THE 4' H AND 5' H FENCE SYSTEMS  
\* OFFERED IN THREE COLORS (WHITE-TAN-GRAY)

BILL OF MATERIALS

ITEM	QTY	PART DESCRIPTION
1	2	0.875" U-CHANNEL
2	4	GALV. U-CHANNEL
3	15	50" T&G BOARD
4	30	0.75" SCREW
5	2	5"X5"X9' HEAVY WALL POST
6	2	POST INSERT
7	2	1" SCREW
8	3	1.5"X.5" RAIL
9	4	3" SCREW
10	1	8"X12" SQUARE LATTICE 1.75" OP
11	2	VIA TUF 8.5" AS END CAPS FOR LATTICE

FRED S. CARDWELL, P.E.  
16-26-09

MIAMI-DADE COUNTY 75MPH WIND LOAD FOR HIGH VELOCITY HURRICANE ZONE  
STYLE# V3215D-6  
DESCRIPTION Vinyl 6' High Tongue & Groove with Diagonal Lattice Top

FLORIDA 15607  
1000 SOUTH BELCHER RD  
BLDG-A / UNIT #12  
LARGO, FLORIDA 33776  
VOICE: 727-524-1965  
FAX: 727-524-1969  
THE DRAWING IS NOT VALID UNLESS SIGNED IN PURPLE INK

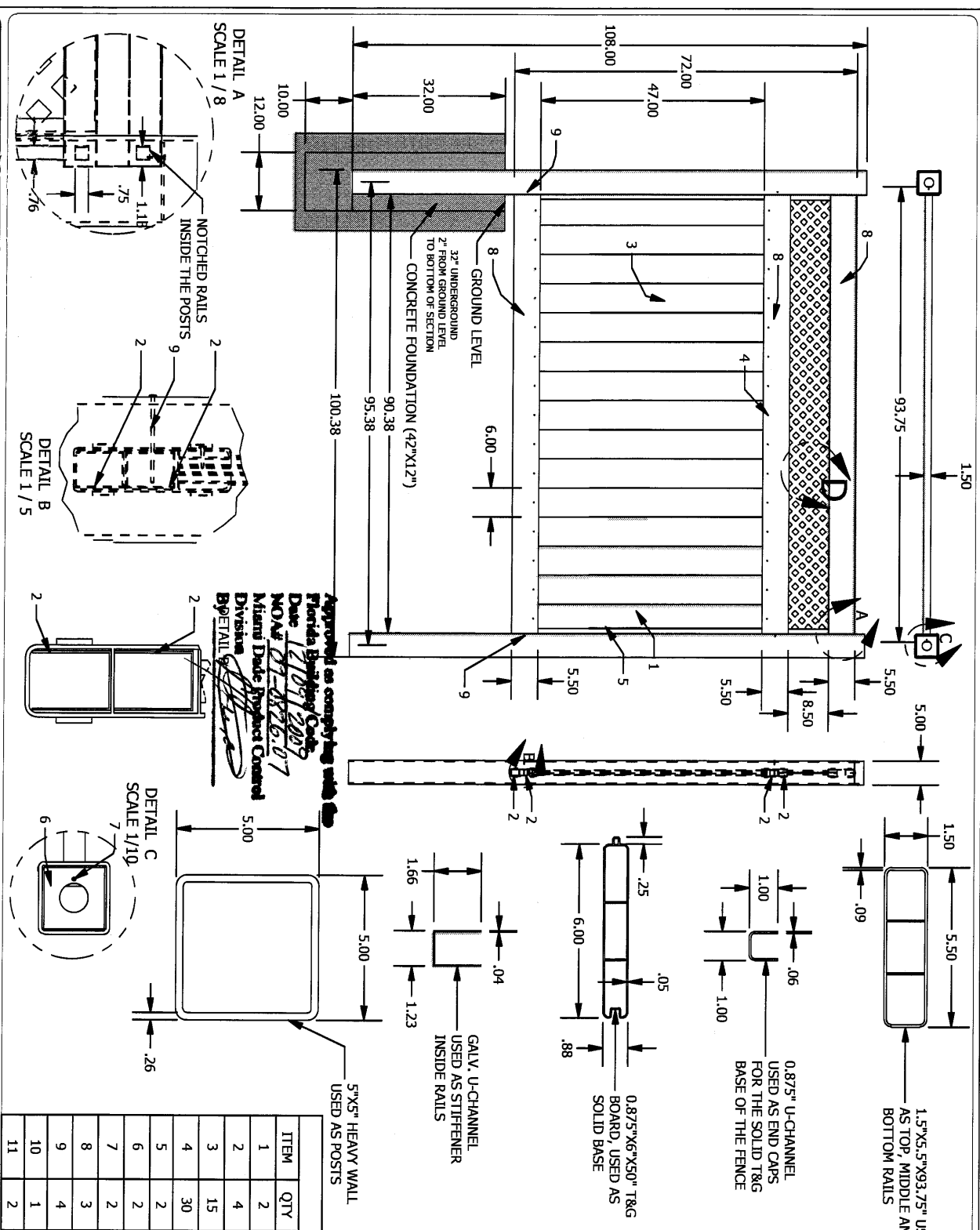
Eastern Wholesale Fence, Inc. - 274 Middle Island Rd. Medford, NY 11763



SHEET 3  
SHEET 3 OF 18  
10-08-09

PVC Material Specifications

Specifications	Value	ASTM
Control Tensile Strength PST	6332	D-638
Weathered Tensile Strength PST	6690	D-638
Percentage Change	+4.6%	D-638
Rate of Burning	0.0 mm/min	D-635
Smoke Density	63.5	D-2843
Self Ignition	380 C	D-1929



NOA #09-0826.07  
Fence height may be subject to local code regulations

ITEM	QTY	PART DESCRIPTION
1	2	0.875" U-CHANNEL
2	4	GALV. U-CHANNEL
3	15	50" T&G BOARD
4	30	0.75" SCREW
5	2	5"X5"X9" HEAVY WALL POST
6	2	POST INSERT
7	2	1" SCREW
8	3	1.5"X.5" RAIL
9	4	3" SCREW
10	1	8"X12" SQUARE LATTICE 1.75" OP
11	2	V-LATTICE 8.5" AS END CAPS FOR LATTICE

FRED S. CARDWELL, P.E.  
15-22-09

MIAMI-DADE COUNTY 75MPH WIND LOAD FOR HIGH VELOCITY HURRICANE ZONE  
STYLE # V3215DS-6  
DESCRIPTION Vinyl 6" High Tongue & Groove with Small Diagonal Lattice Top



SHEET 4  
SHEET 4 OF 18  
10-08-09

FLORIDA # 15607  
1000 SOUTH BELCHER RD  
BLDG A / UNIT #11  
LARGO, FLORIDA 33771  
VOICE: 727-524-1399  
FAX: 727-524-1392  
THIS DRAWING IS NOT VALID UNLESS SIGNED IN PURPLE INK

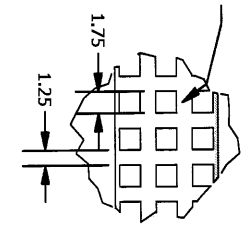
Approved as complying with the Florida Building Code  
Date 12/01/2009  
NOA# 09-0826.07  
Miami Dade Property Control Division  
By Detail

Eastern Wholesale Fence, Inc. - 274 Middle Island Rd. Medford, NY 11763  
www.IllusionsFence.com

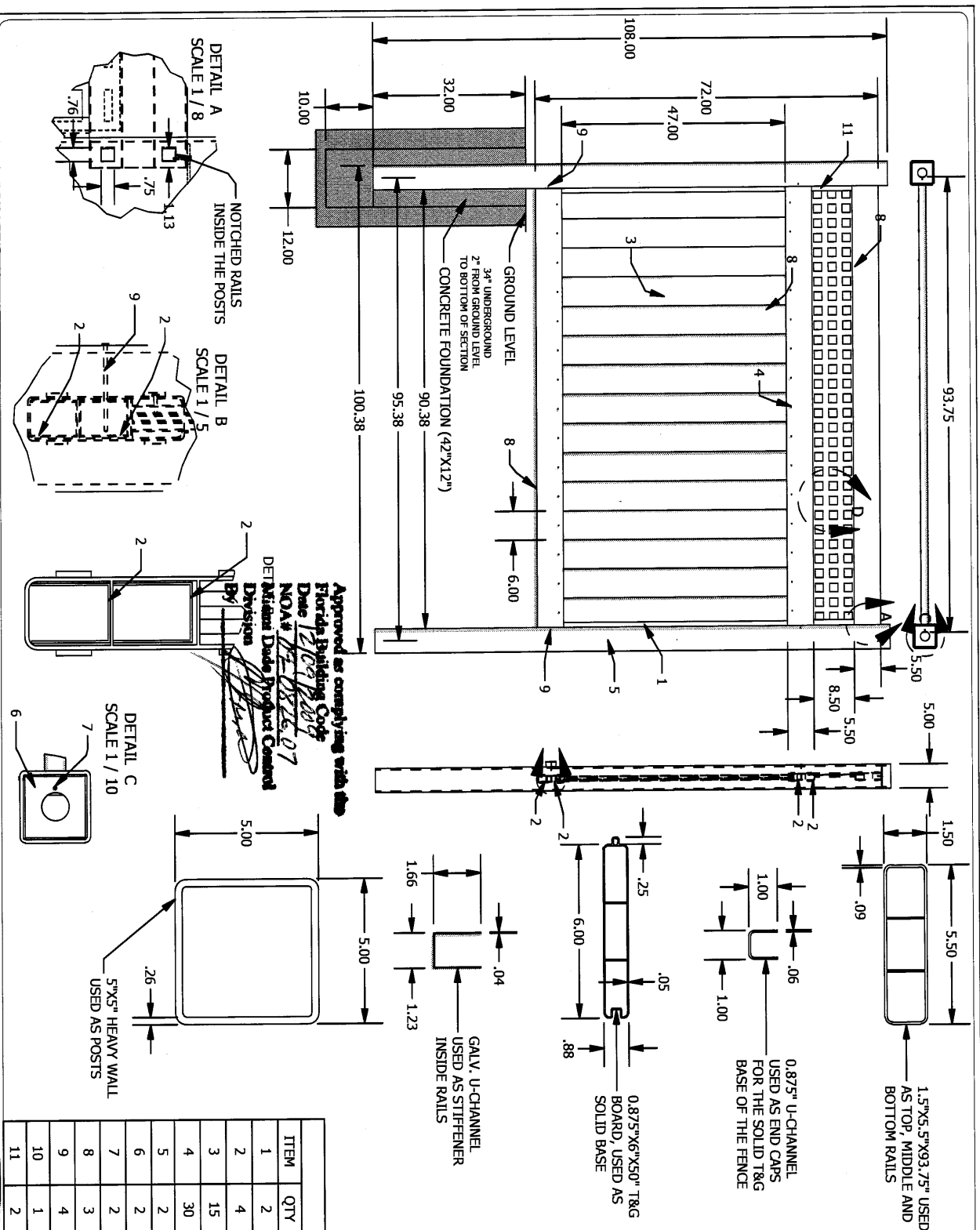
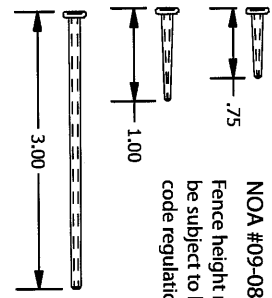
PVC Material Specifications

Specifications	Value	ASTM
Control Tensile Strength PSI	6332	D-438
Weathered Tensile Strength PSI	6690	D-438
Percentage Change	+3.6%	D-438
Rate of Burning	0.0 mm/min	D-633
Smoke Density	53.0	D-633
Self Ignition	300 C	D-1973

DETAIL D  
SCALE 1 / 15



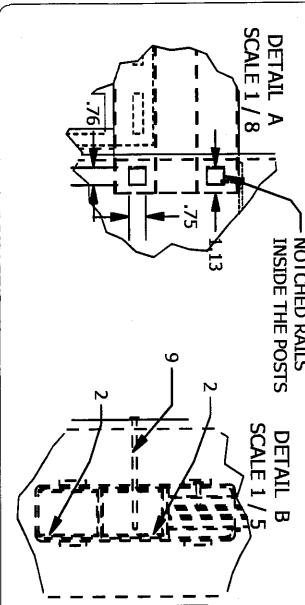
NOA #09-0826.07  
Fence height may be subject to local code regulations



BILL OF MATERIALS

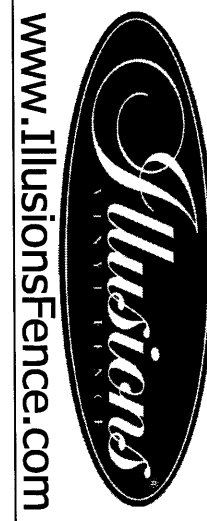
ITEM	QTY	PART DESCRIPTION
1	2	0.875" U-CHANNEL
2	4	GALV. U-CHANNEL
3	15	50" T&G BOARD
4	30	0.75" SCREW
5	2	5"X5"X9" HEAVY WALL POST
6	2	POST INSERT
7	2	1" SCREW
8	3	1.5"X5.5" RAIL
9	4	3" SCREW
10	1	8"X12" SQUARE LATTICE 1.75" OP
11	2	VIATUUF 8.5" AS END CAPS FOR LATTICE

Approved as complying with the  
Florida Building Code  
Date 12/09/2009  
NOA# 09-0826.07  
Division  
DET Miami-Dade Product Control

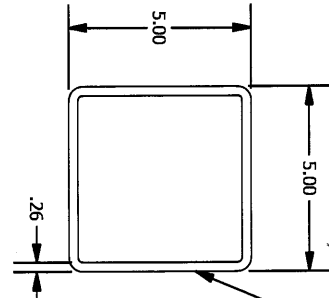
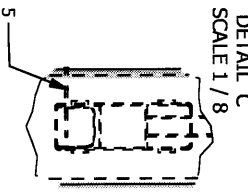
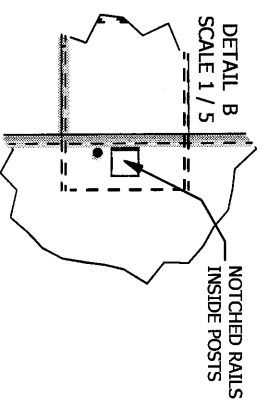
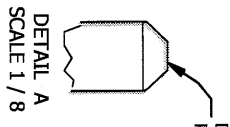
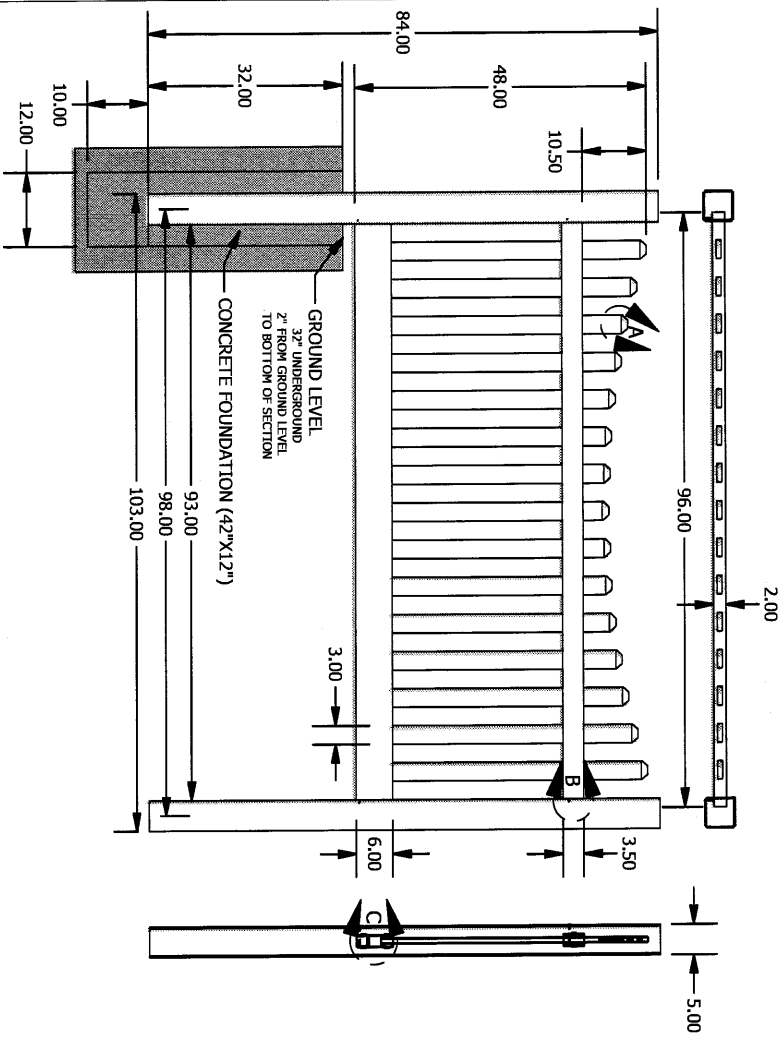


FRED S. CARDWELL, P.E.  
10-26-09  
FLORIDA # 15807  
1000 SOUTH BELCHER RD  
BLDG-A / UNIT #11  
LARGO, FLORIDA 33717  
VOICE: 727-524-1587  
FAX: 727-524-1259  
THIS DRAWING IS NOT VALID UNLESS  
SIGNED IN PURPLE INK

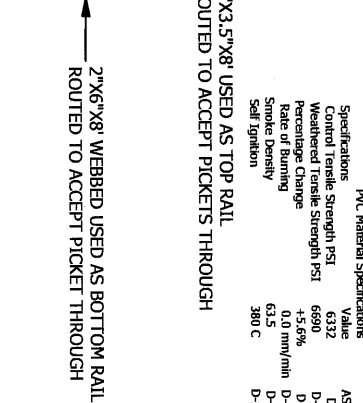
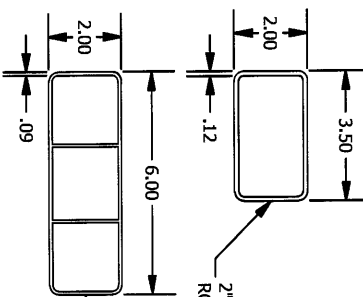
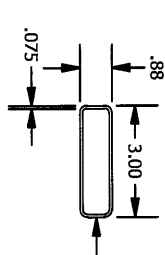
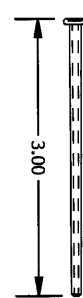
MIAMI-DADE COUNTY 75MPH WIND LOAD FOR HIGH VELOCITY HURRICANE ZONE  
STYLE # V3215SQ-6  
DESCRIPTION Vinyl 6" High Tongue & Groove with Square Lattice Top



SHEET 5  
SHEET 5 OF 18  
10-08-09



Approved as complying with the Florida Building Code  
 Date 12/29/2009  
 NOA# 09-0826.07  
 Miami Dade Product Control  
 Division  
 By *[Signature]*



PCV Material Specifications

Specifications	Value	ASTM
Control Tensile Strength PSI	6332	D-638
Weathered Tensile Strength PSI	6690	D-638
Percentage Change	+5.6%	D-638
Rate of Burning	0.0 mm/min	D-635
Smoke Density	63.5	D-2893
Self Ignition	380 C	D-1979

NOA #09-0826.07  
 Fence height may be subject to local code regulations

ITEM	QTY	PART DESCRIPTION
1	15	0.875"x3" PICKETS
2	1	2"x3.5"x8" TOP RAIL
3	1	2"x6"x8" BOTTOM RAIL
4	15	0.875"x3" DOG EAR CAP
5	4	3" SCREW
6	2	5"x5"x7" HEAVY WALL POSTS

FLORIDA # 3587  
 FRED S. CARBONELL, P.E.  
 1000 SOUTH BELCHER RD  
 BLDG 4 / UNIT #11  
 LARGO, FLORIDA 33773  
 VOICE: 727-524-1280  
 FAX: 727-524-1280

16-26-09

MIAMI-DADE COUNTY 75MPH WIND LOAD FOR HIGH VELOCITY HURRICANE ZONE  
 STYLE#  
 DESCRIPTION  
 V352-4TR  
 Vinyl 4" High Spaced Picket  
 with Dog Ear Scallop

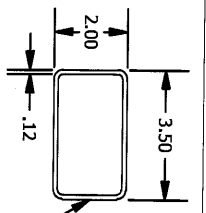
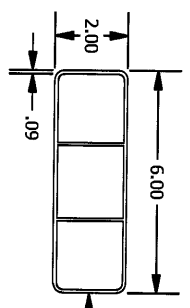
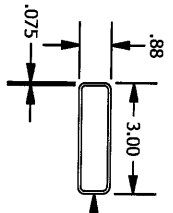
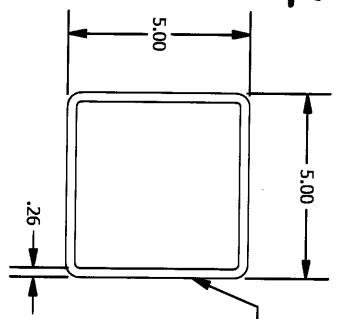
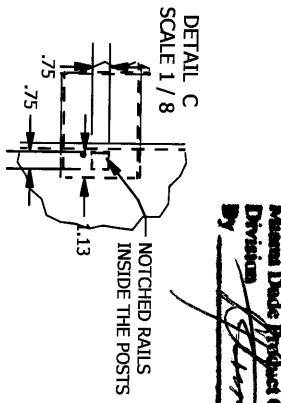
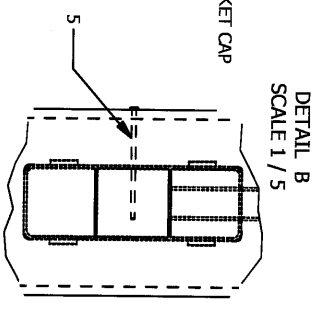
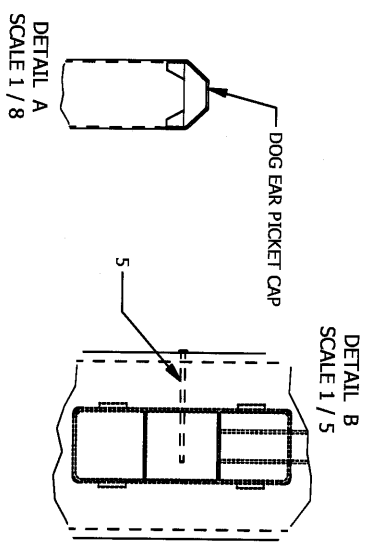
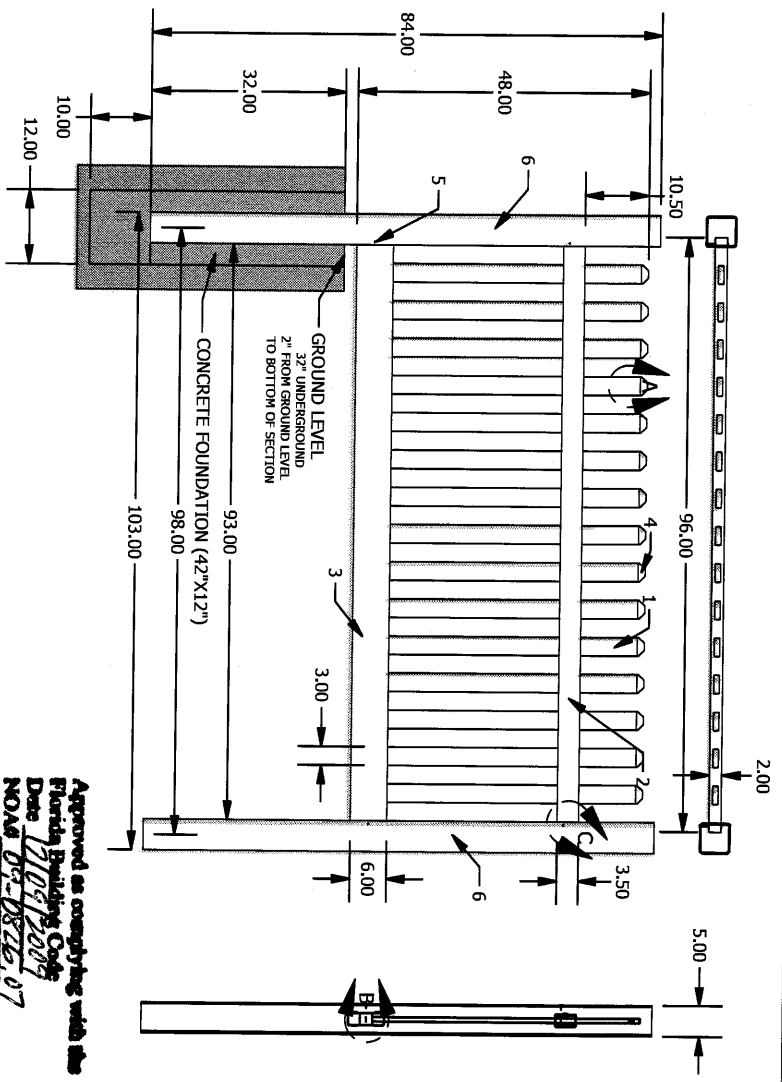
Eastern Wholesale Fence, Inc. - 274 Middle Island Rd. Medford, NY 11763



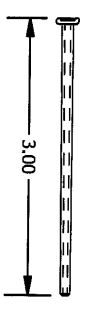
SHEET  
 SHEET 7 OF 18  
 10-08-09

www.IllusionsFence.com





Approved as complying with the Florida Building Code  
 Date 11/01/2009  
 NOA# 09-0826.07  
 National Deck Products Council  
 Division *[Signature]*



NOA #09-0826.07  
 Fence height may be subject to local code regulations

ITEM	QTY	PART DESCRIPTION
1	15	0.875\"/>
2	1	2\"/>
3	1	2\"/>
4	15	0.875\"/>
5	4	3\"/>
6	2	5\"/>

Specification	Value	ASTM
Control Tensile Strength PSI	6632	D-538
Weathered Tensile Strength PSI	6520	D-538
Percentage Change	+5.6%	D-538
Rate of Burning	0.0 mm/min	D-635
Smoke Density	63.5	D-2983
Self Ignition	380 C	D-1929

FLORIDA 15607  
 FRED S. CARDWELL, P.E.  
 1000 SOUTH BERGER RD  
 BLDG-A / UNIT #11  
 LAKEDA, FLORIDA 33771  
 VOICE: 772-524-1505  
 FAX: 772-524-1259

MIAMI-DADE COUNTY 75MPH WIND LOAD FOR HIGH VELOCITY HURRICANE ZONE  
 STYLE# V350-4TR  
 DESCRIPTION Vinyl 4' High Spaced Picket with Dog Ear Cap

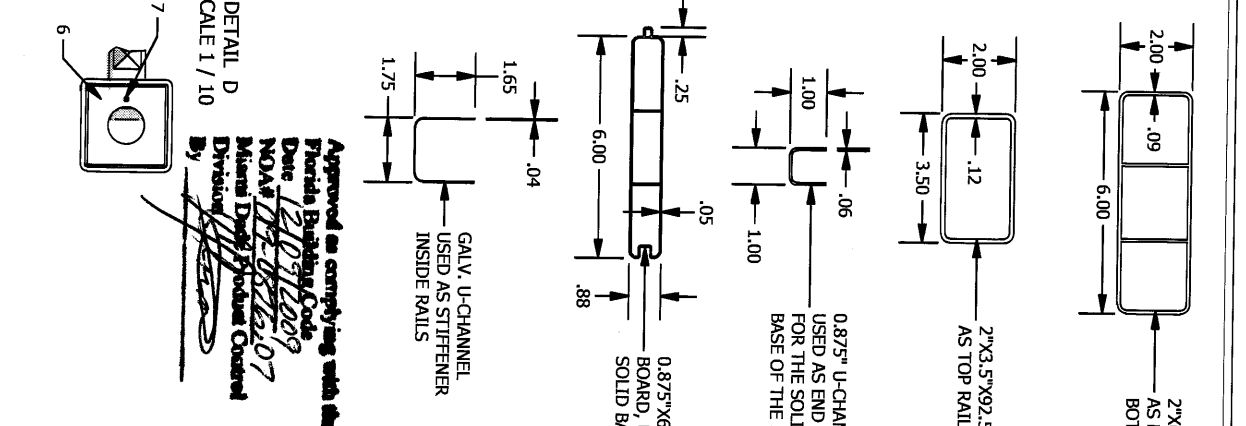
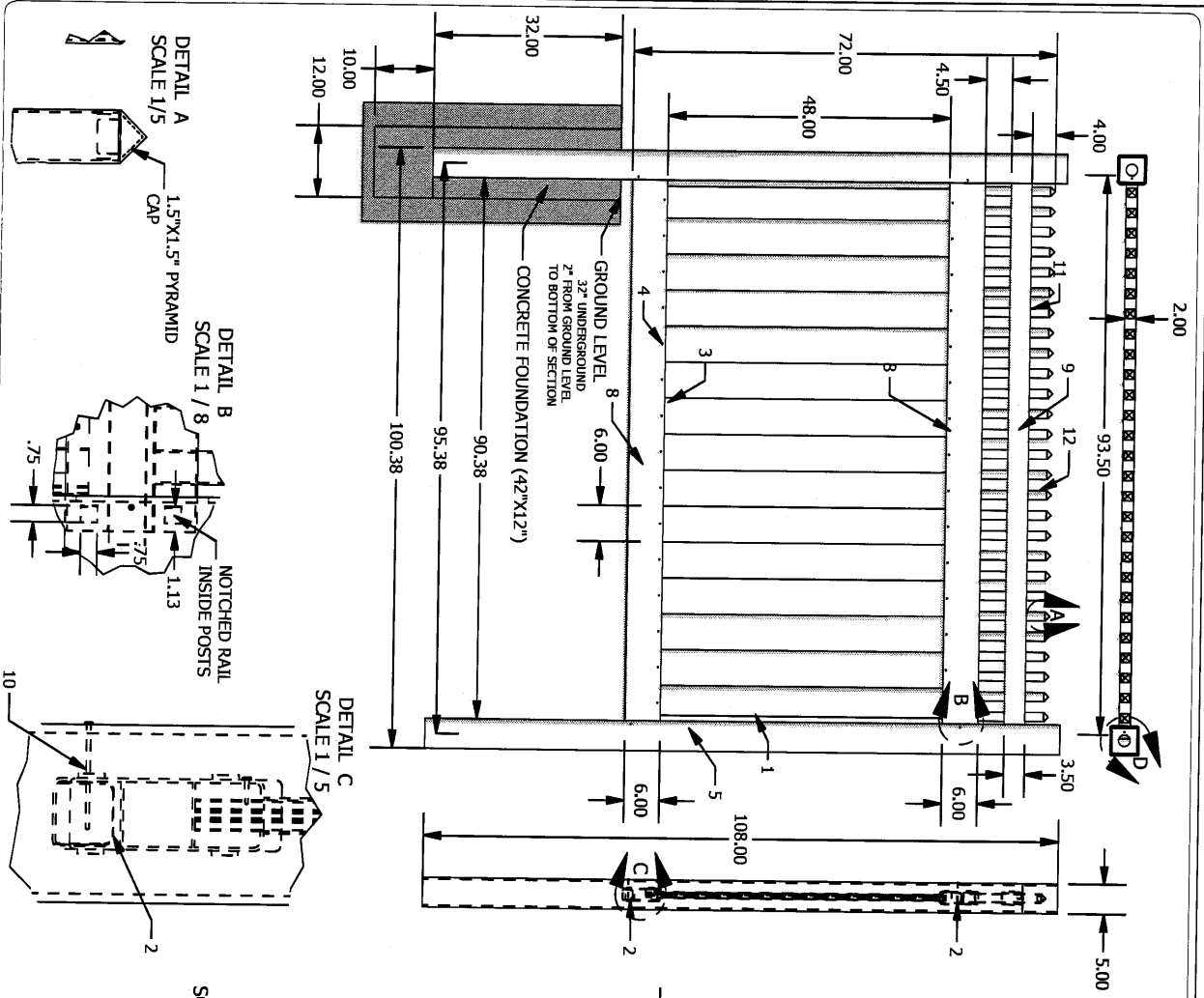
18-26-09  
*[Signature]*  
 THIS DRAWING IS NOT VALID UNLESS SIGNED IN PURPLE INK

Eastern Wholesale Fence, Inc. - 274 Middle Island Rd. Medford, NY 11763



www.IllusionsFence.com

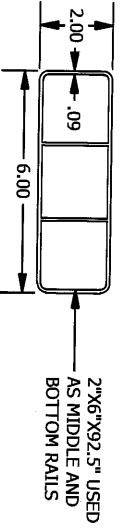
SHEET 6 OF 18  
 SHEET 6 OF 18  
 10-08-09



**Approved as complying with the Florida Building Code**  
 Date: 12/12/09  
 NOA# 08226.07  
 Miami Design Product Control Division  
 By: [Signature]

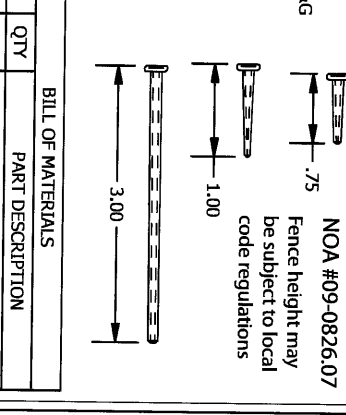
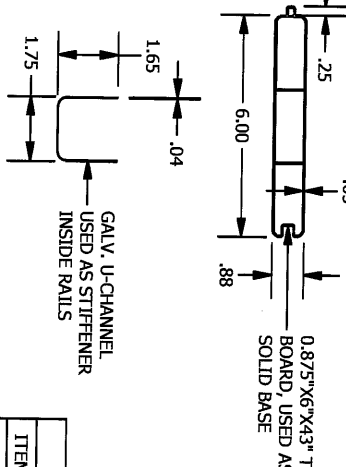
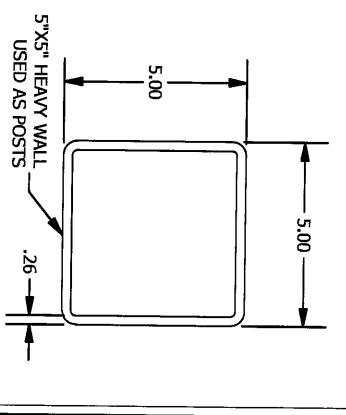
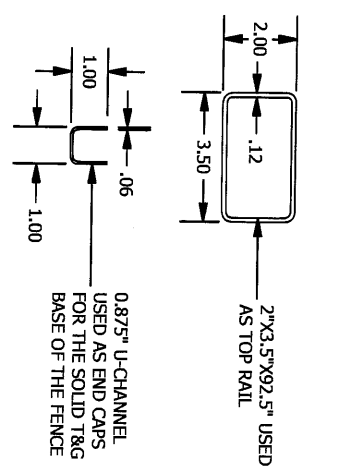
ITEM	QTY	PART DESCRIPTION
1	2	0.875" U-CHANNEL
2	2	GALV. U-CHANNEL FOR 2X6 RAIL
3	15	51" T&G BOARD
4	30	0.75" SCREW
5	2	5"X5"X9" HEAVY WALL POST
6	2	POST INSERT
7	2	1" SCREW
8	2	2"X6"X93.5 RAILS
9	1	2"X3.5"X93.5" AS TOP RAIL
10	4	3" SCREW
11	27	1.5"X1.5" PICKETS
12	27	1.5"X1.5" PYRAMID CAPS

**BILL OF MATERIALS**



**PNC Material Specifications**

ASTM	Value	Specifications
D-638	6332	Control Tensile Strength PSI
D-638	6590	Minimum Tensile Strength PSI
D-638	43.6%	Percent Elongation
D-638	4.4 mm/min	Rate of Straining
D-2653	6.3	Simple Density
D-1529	380 C	Self Ignition



FRED S. CARDWELL, P.E.  
 FLORIDA 15897  
 1000 SCOTT BECHER RD  
 LAUREL FLORIDA 331  
 VOICE: 772-441-9265  
 FAX: 772-441-9259  
 THIS DRAWING IS NOT VALID UNLESS SIGNED IN PURPLE INK

MIAMI-DADE COUNTY 75MPH WIND LOAD FOR HIGH VELOCITY HURRICANE ZONE  
 STYLE# V3700-6  
 DESCRIPTION Vinyl 6' High Tongue & Groove with Victorian Straight Top

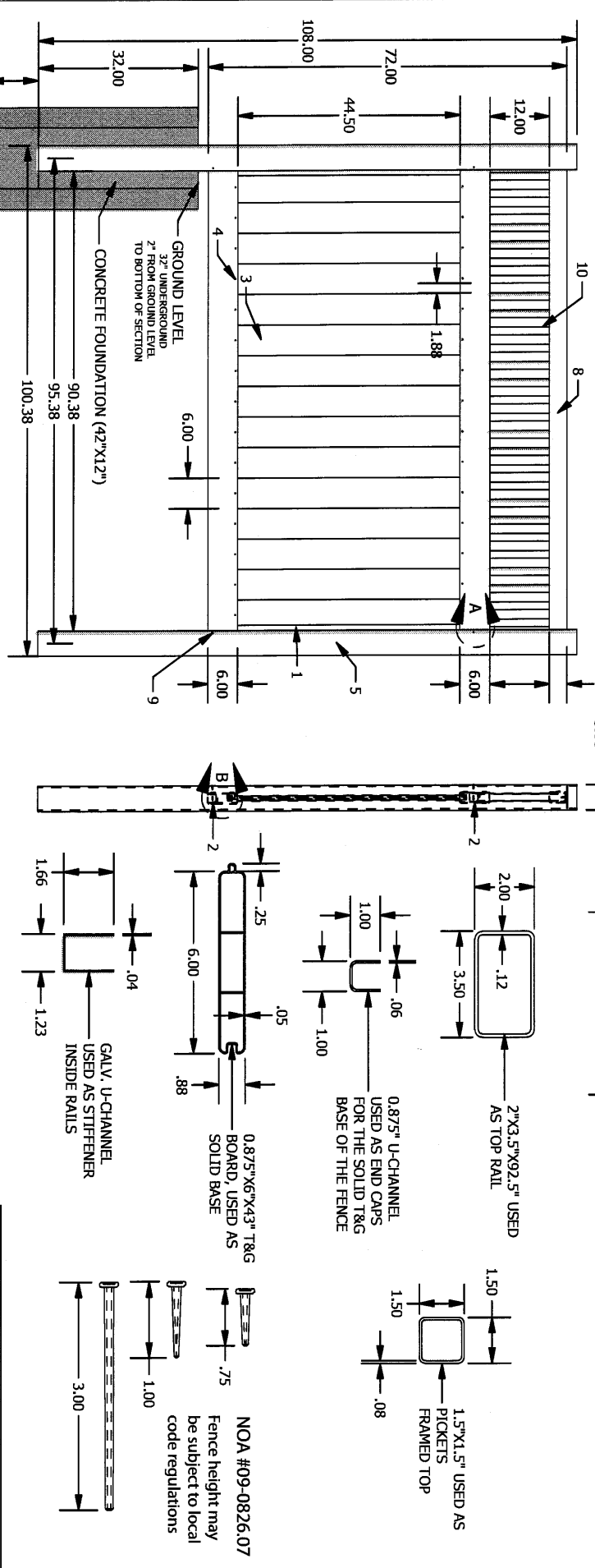
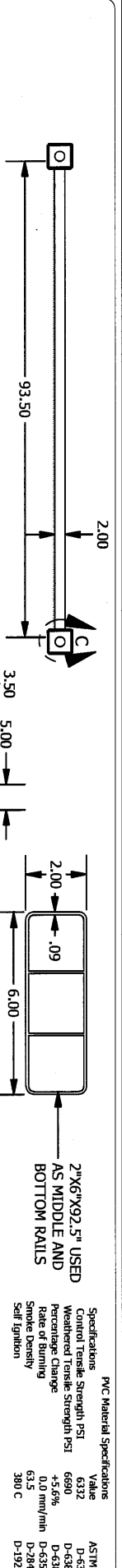


SHEET 8  
 SHEET 8 OF 18  
 10-08-09

Eastern Wholesale Fence, Inc. - 274 Middle Island Rd. Medford, NY 11763

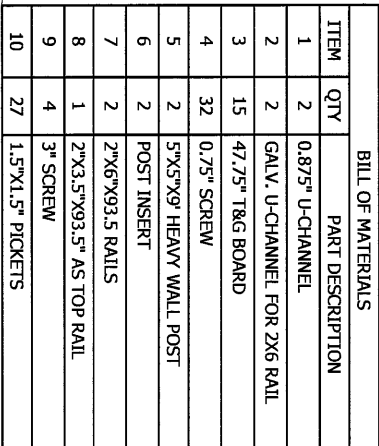
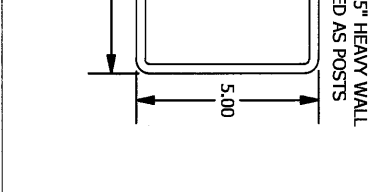
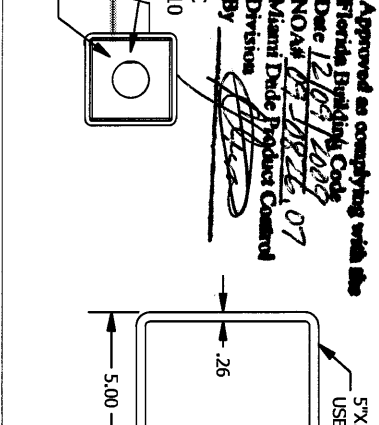
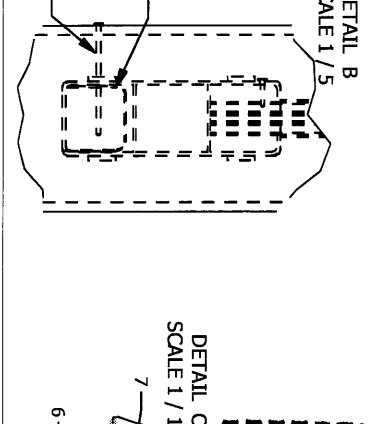
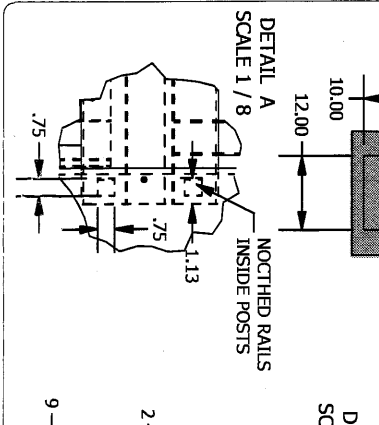
www.IllusionsFence.com

WIND TEST 1069 ILLUSIONS FENCE 0209



Approved as complying with the Florida Building Code  
 Date 12/04/2009  
 NOA# 09-0826.07  
 Miami Dade Product Control Division  
 By [Signature]

ITEM	QTY	PART DESCRIPTION
1	2	0.875" U-CHANNEL
2	2	GALV. U-CHANNEL FOR 2X6 RAIL
3	15	47.75" TR&G BOARD
4	32	0.75" SCREW
5	2	5"x5"x9" HEAVY WALL POST
6	2	POST INSERT
7	2	2"x6"x93.5 RAILS
8	1	2"x3.5"x93.5" AS TOP RAIL
9	4	3" SCREW
10	27	1.5"x1.5" PICKETS



NOA #09-0826.07  
 Fence height may be subject to local code regulations

FLORIDA 1567  
 1000 SOUTH BELCHER RD  
 BLDG 4 / UNIT #11  
 LARGO, FLORIDA 33773  
 VOICE: 727-524-1905  
 FAX: 727-524-1299  
**FRED S. GARDWELL, P.E.**  
 10-26-09  
 THIS DRAWING IS NOT VALID UNLESS SIGNED IN PURPLE INK

MIAMI-DADE COUNTY 75MPH WIND LOAD FOR HIGH VELOCITY HURRICANE ZONE  
 STYLE# V3701-6  
 DESCRIPTION Vinyl 6" High Tongue & Groove Solid Panel

Eastern Wholesale Fence, Inc. - 274 Middle Island Rd. Medford, NY 11763

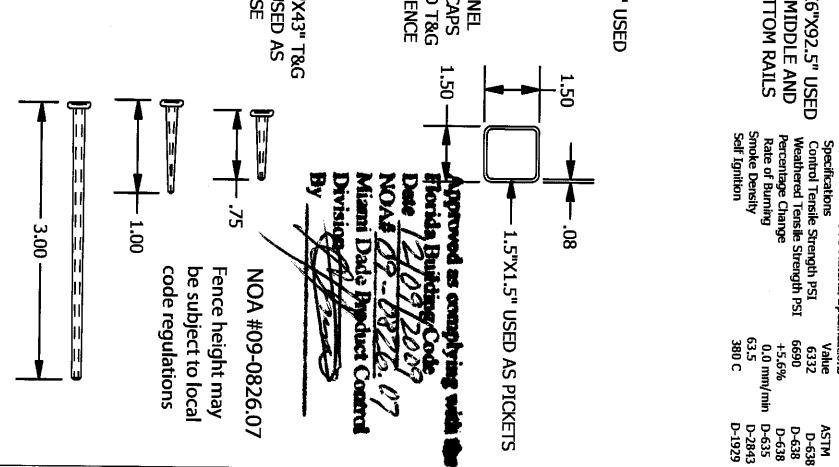
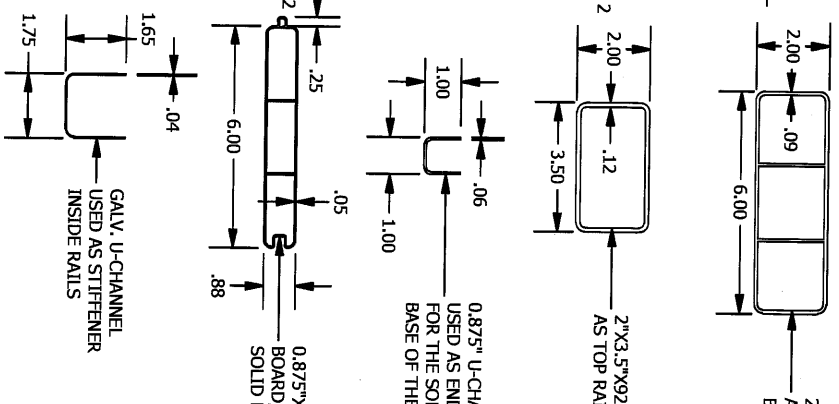
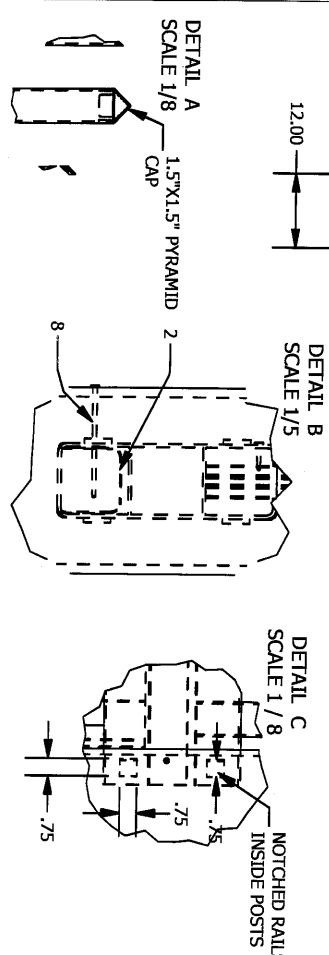
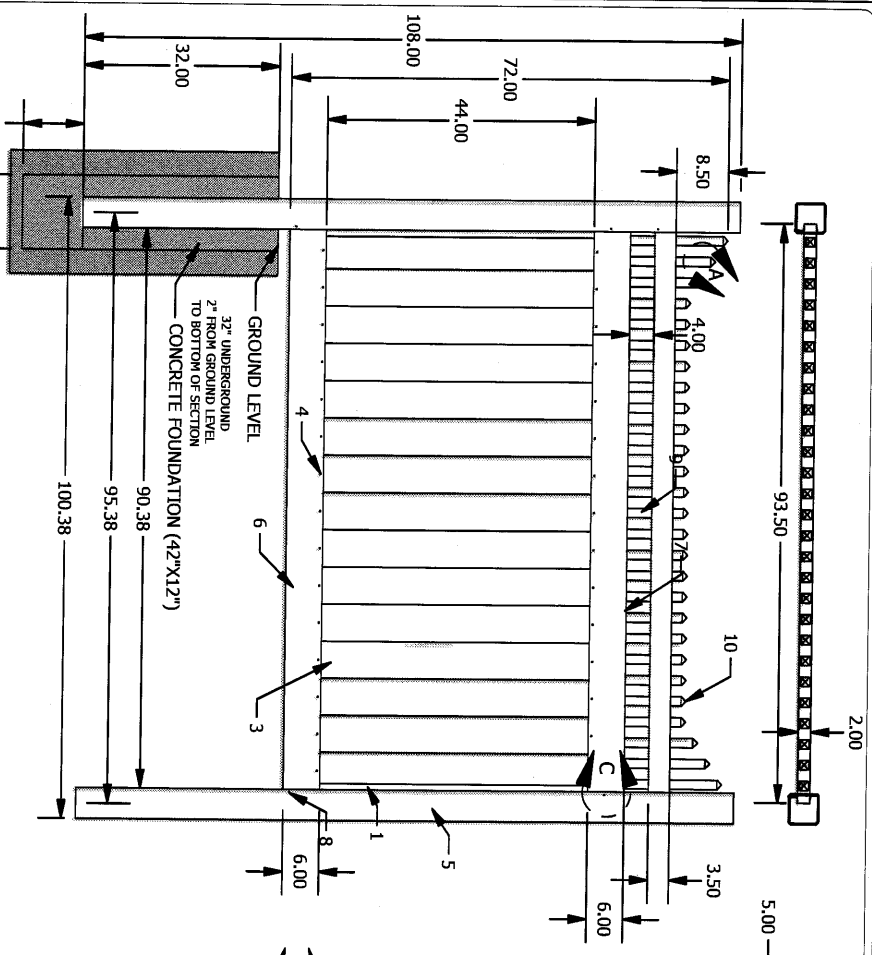
www.IllusionsFence.com

SHEET 9 OF 18  
 10-08-09

ASTM D-638 D-638 D-635 D-2843 D-1929  
 Value 6332 6690 +5.6% 0.0 mm/min 63.5 380 C  
 Specifications  
 PVC Material Specifications  
 Control Tensile Strength PSI  
 Weathered Tensile Strength PSI  
 Percentage Change  
 Rate of Burning  
 Smoke Density  
 Self Ignition

PVC Material Specifications

Specification	Value	ASTM
Control Tensile Strength PSI	6332	D-638
Minimum Tensile Strength PSI	6690	D-638
Percentage Elongation	6.5%	D-638
Rate of Burning	0.4 mm/min	D-3982
Smoke Density	6.5	D-3982
Self Ignition	380 C	D-1979



BILL OF MATERIALS

ITEM	QTY	PART DESCRIPTION
1	2	0.875\" U-CHANNEL
2	2	GALV. U-CHANNEL FOR 2X6 RAIL
3	15	47.75\" T&G BOARD
4	30	0.75\" SCREW
5	2	5\"X5\"X9\" HEAVY WALL POST
6	2	2\"X6\"X93.5 RAILS
7	1	2\"X3.5\"X93.5\" AS TOP RAIL
8	6	3\" SCREW
9	27	1.5\"X1.5\" PICKETS
10	27	1.5\"X1.5\" PYRAMID CAP

FRED S. CARDWELL, P.E.  
 10-21-09  
 FLORIDA 15807  
 1000 SOUTH BELCHER RD.  
 BLDG 4 / UNIT #11  
 LARGO, FLORIDA 33045  
 VOICE: 727-524-4905  
 FAX: 727-524-4299  
 THIS DRAWING IS NOT VALID UNLESS  
 SIGNED IN PURVE INK

MIAMI-DADE COUNTY 75MPH WIND LOAD FOR HIGH VELOCITY HURRICANE ZONE  
 STYLE# V3706-6  
 DESCRIPTION Vinyl 6' High Tongue & Groove with Victorian Stepped Top  
 Eastern Wholesale Fence, Inc. - 274 Middle Island Rd. Medford, NY 11763

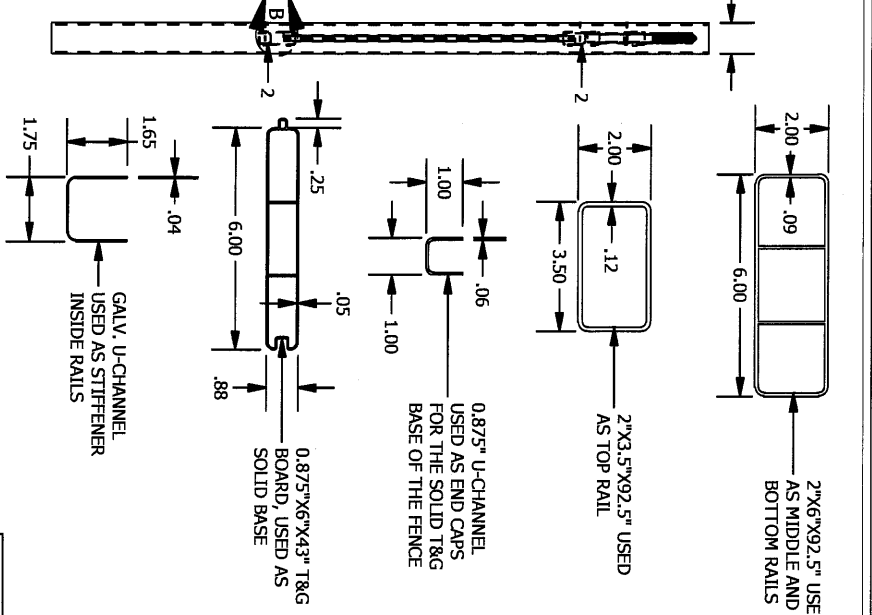
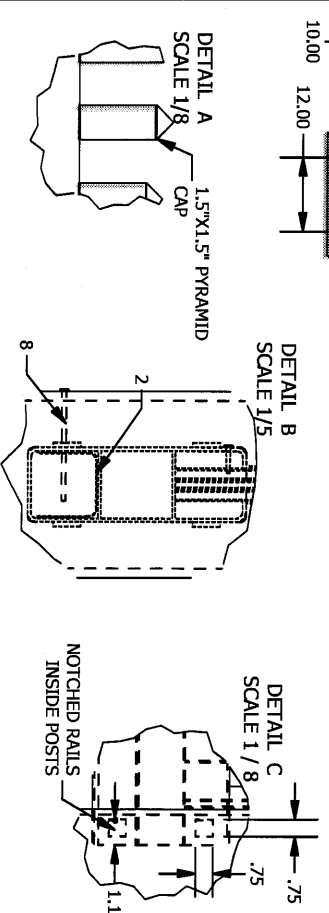
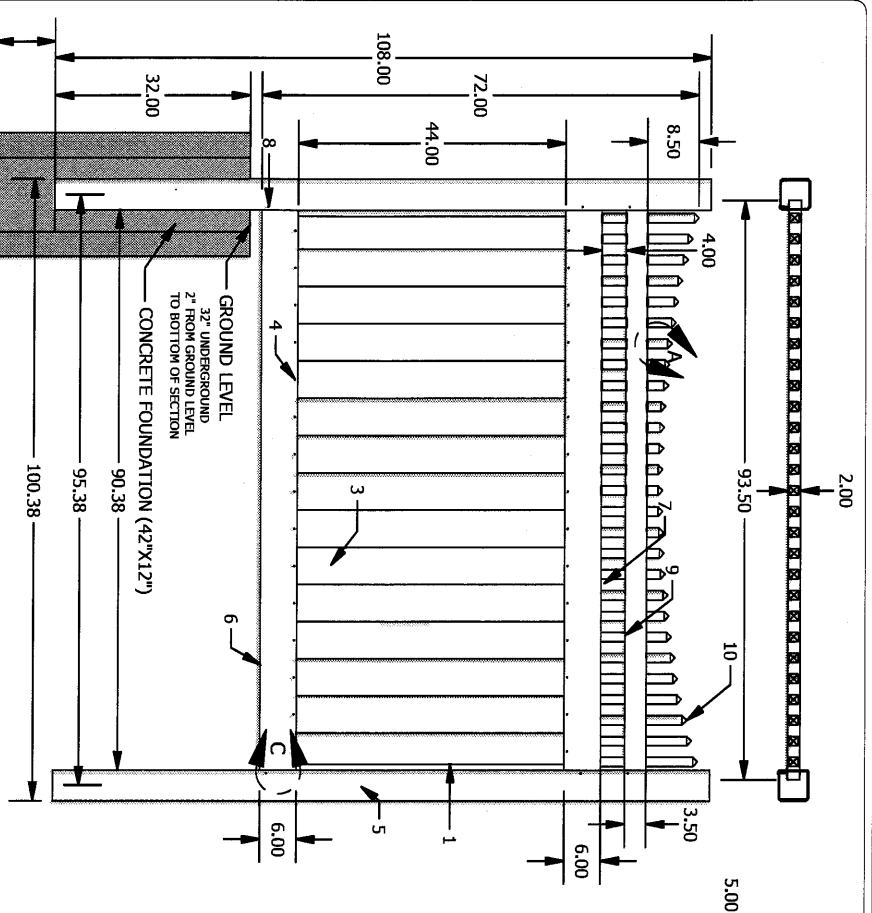
**Illusions**

www.IllusionsFence.com

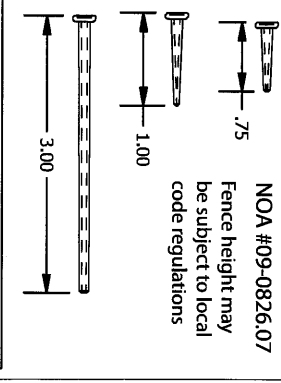
SHEET 10 OF 18  
 10-08-09

Specifications	PVC Material Specifications	ASTM
Control Tensile Strength PSI	6332	D-538
Weathered Tensile Strength PSI	6690	D-538
Percentage Change	+5.6%	D-538
Rate of Burning	0.0 mm/min	D-635
Smoke Density	63.5	D-2843
Self Ignition	380 C	D-1929

Approved as complying with the Florida Building Code  
 Date 12/09/2009  
 NOA # 09-0826.07  
 Miami Dade Product Control  
 Division of Building  
 By *[Signature]*



ITEM	QTY	PART DESCRIPTION
1	2	0.875\"/>
2	2	GALV. U-CHANNEL FOR 2X6 RAIL
3	15	47.75\"/>
4	30	0.75\"/>
5	2	5\"/>
6	2	2\"/>
7	1	2\"/>
8	4	3\"/>
9	27	1.5\"/>
10	27	1.5\"/>



FRED S. CARDWELL, P.E.  
 16-22-09  
 FLORIDA # 1567  
 1000 SOUTH BELCHER RD  
 BLDG-A / UNIT #11  
 LARGO, FLORIDA 33777  
 VOICE: 727-524-1965  
 FAX: 727-524-1969  
*[Signature]*  
 THIS DRAWING IS NOT VALID UNLESS SIGNED IN PURPLE INK

MIAMI-DADE COUNTY 75MPH WIND LOAD FOR HIGH VELOCITY HURRICANE ZONE  
 STYLE# V3707-6  
 DESCRIPTION Vinyl 6' High Tongue & Groove Solid Panel  
 Eastern Wholesale Fence, Inc. - 274 Middle Island Rd., Medford, NY 11763

**Illusions**  
 www.IllusionsFence.com  
 SHEET 11 OF 18  
 SHEET 11 OF 18  
 10-08-09

FLORIDA # 15807  
**REDS S. CARDWELL, P.E.**  
 1000 SOUTH BELCHER RD  
 BLDG-A / UNIT #11  
 LARGO, FLORIDA 33771  
 VOICE: 727-524-1905  
 FAX: 727-524-1299  
 THIS DRAWING IS NOT VALID UNLESS  
 SIGNED IN PURPLE INK

16-26-09

**MIAMI-DADE COUNTY 75MPH WIND LOAD FOR HIGH VELOCITY HURRICANE ZONE**

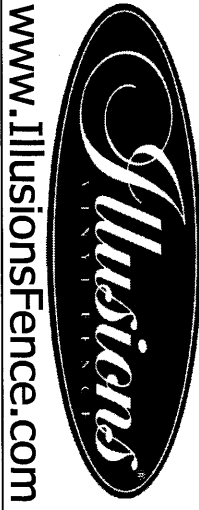
STYLE #

V401-4TR

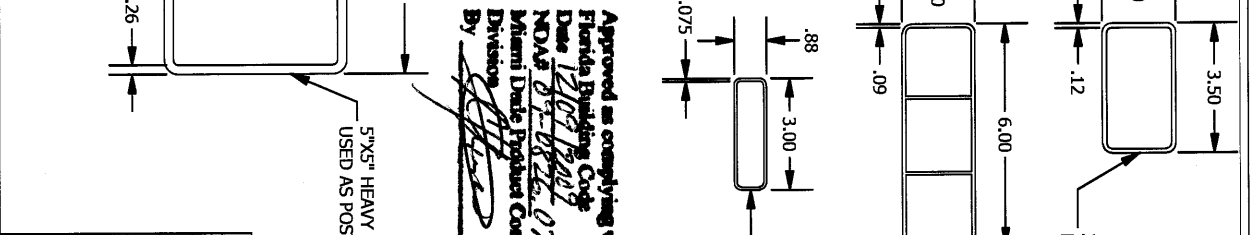
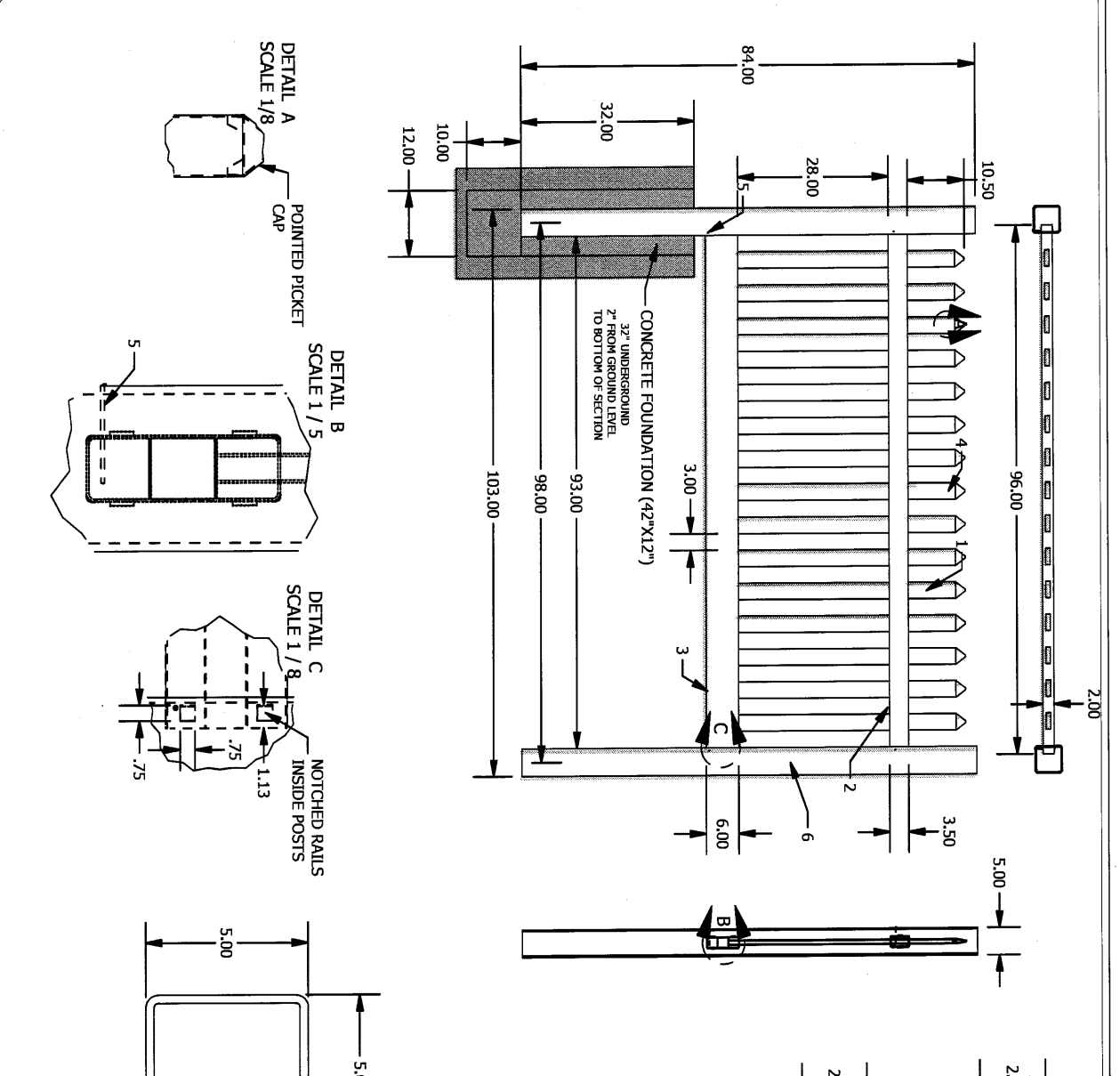
DESCRIPTION

Vinyl 4' High Spaced  
 Picket with Pointed Cap

Eastern Wholesale Fence, Inc. - 274 Middle Island Rd. Medford, NY 11763

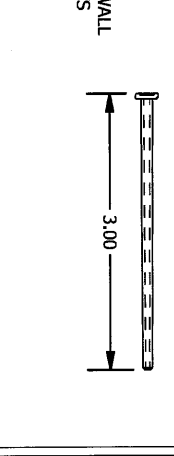


SHEET  
**12**  
 SHEET 12 OF 18  
 10-08-09



**BILL OF MATERIALS**

ITEM	QTY	PART DESCRIPTION
1	15	0.875"x3" PICKETS
2	1	2"x3.5"x8" TOP RAIL
3	1	2"x6"x8" BOTTOM RAIL
4	15	0.875"x3" POINTED CAP
5	4	3" SCREW
6	2	5"x5"x7" HEAVY WALL POSTS

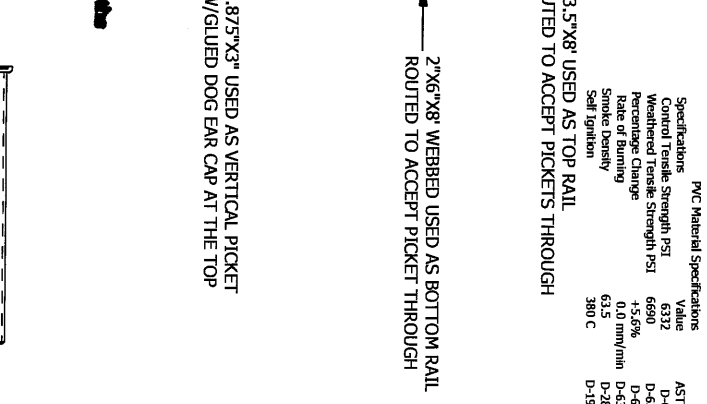
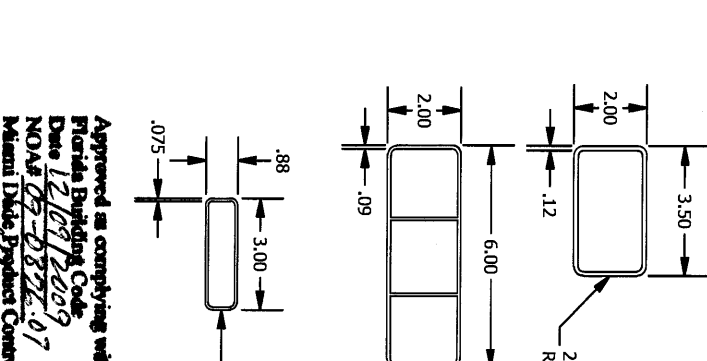
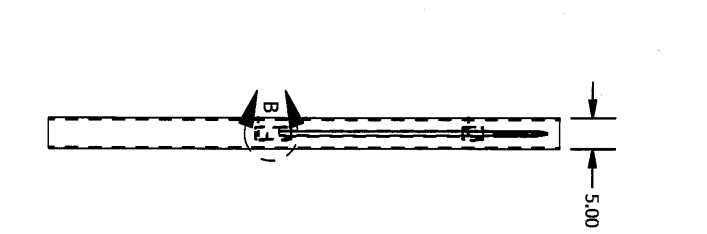
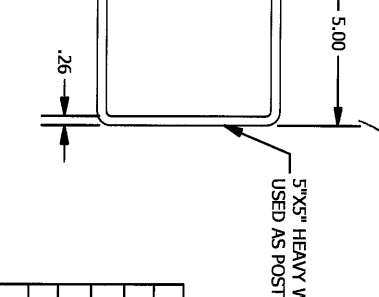
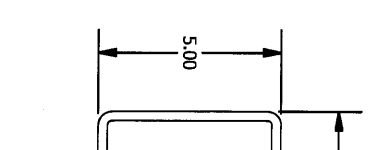
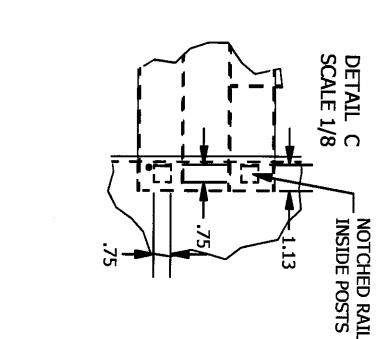
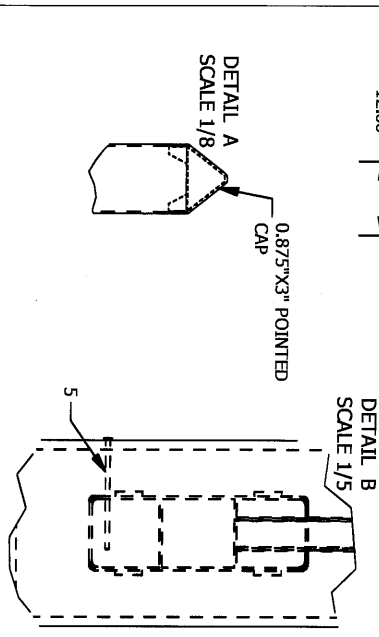
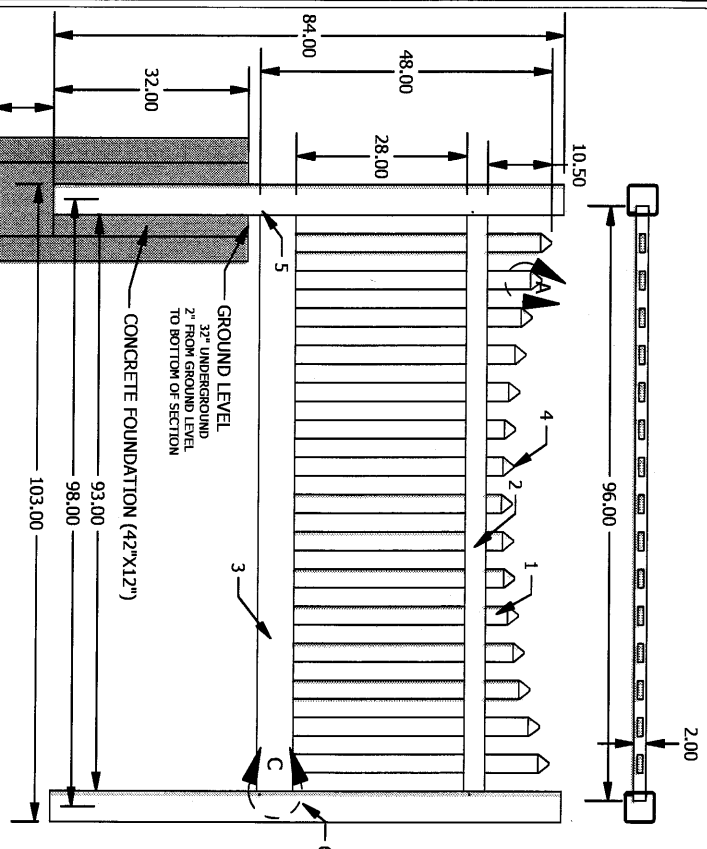


Approved as complying with the  
 Florida Building Code  
 Date 12/05/19/09  
 NOA# 09-0826.07  
 Miami Dade Product Control  
 Division  
 By *[Signature]*

NOA #09-0826.07  
 Fence height may  
 be subject to local  
 code regulations

**PVC Material Specifications**

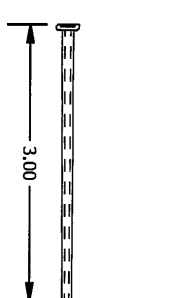
Specifications	Value	ASTM
Control Tensile Strength PSI	6332	D-638
Weathered Tensile Strength PSI	6690	D-638
Percentage Change	+5.6%	D-638
Rate of Burning	0.0 mm/min	D-635
Smoke Density	63.5	D-2843
Self Ignition	380 C	D-1979



PVC Material Specifications

Specification	Value	ASTM
Control Tensile Strength PSI	4332	D-638
Weathered Tensile Strength PSI	6690	D-638
Percentage Change	+5.6%	D-638
Rate of Burning	0.0 mm/min	D-635
Smoke Density	63.5	D-2893
Self Ignition	380 C	D-1929

Approved as complying with the Florida Building Code  
 Date 12/16/2009  
 NOA# 09-0826.07  
 Miami Dade Product Control Division  
 By *[Signature]*



NOA #09-0826.07  
 Fence height may be subject to local code regulations

BILL OF MATERIALS

ITEM	QTY	PART DESCRIPTION
1	15	0.875\"/>
2	1	2\"/>
3	1	2\"/>
4	15	0.875\"/>
5	4	3\"/>
6	2	5\"/>

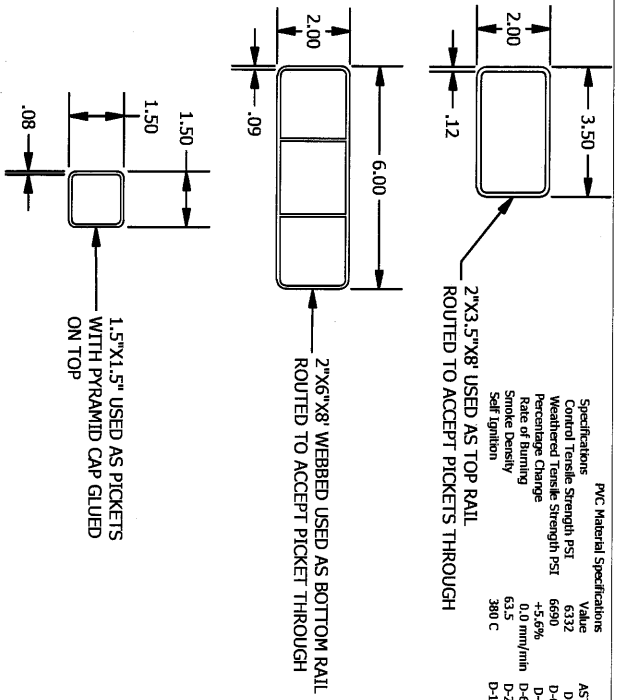
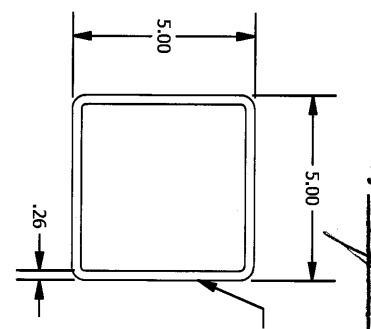
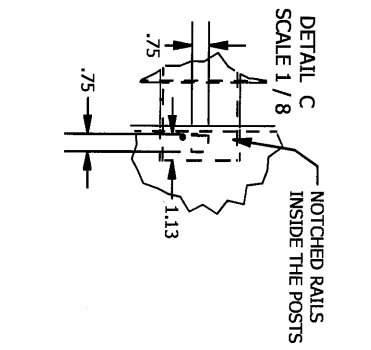
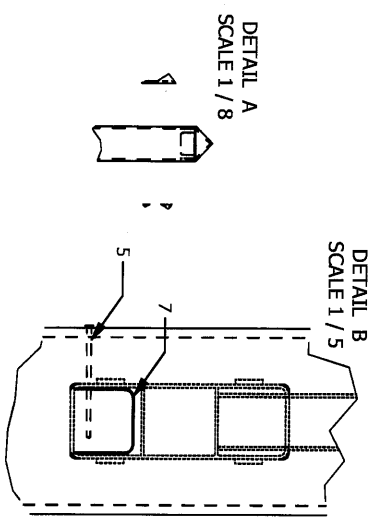
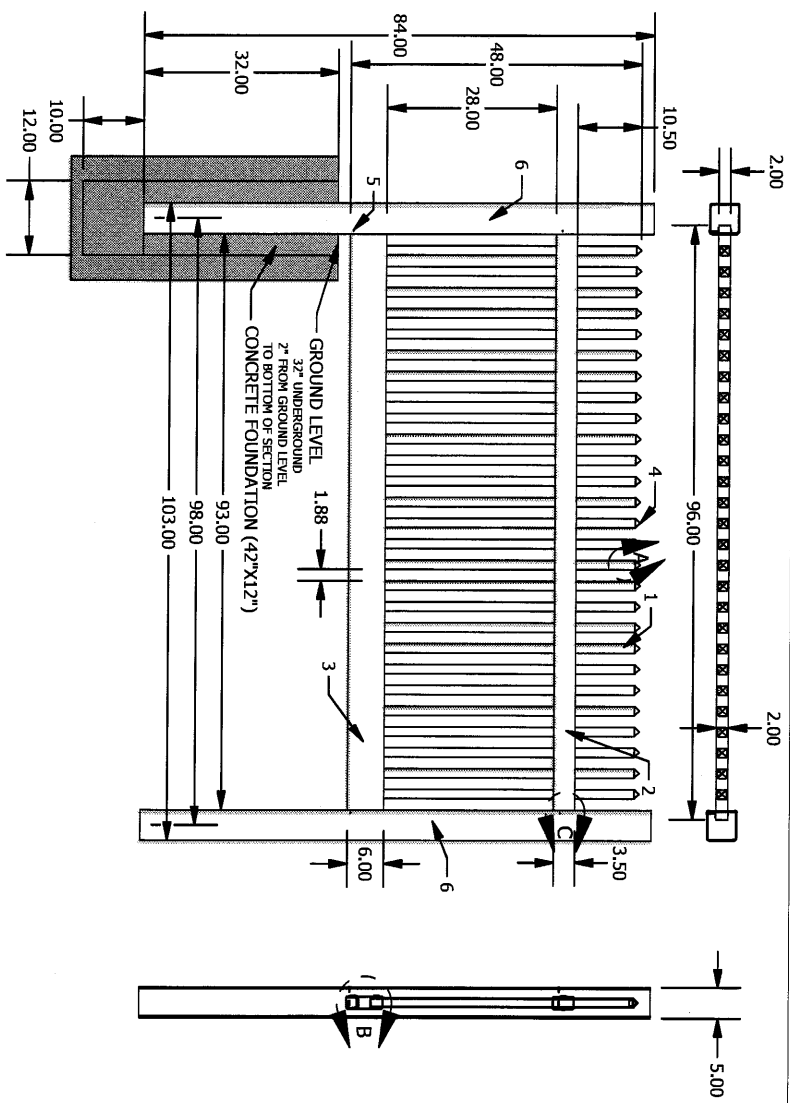
FRED S. CARSWELL, P.E.  
 16-26-09  
 FLORIDA # 15607  
 1000 SOUTH BELCHER RD  
 BLDG-A / UNIT #11  
 LARGO, FLORIDA 33771  
 VOICE: 727-524-1995  
 FAX: 727-524-1299  
*[Signature]*  
 THIS DRAWING IS NOT VALID UNLESS SIGNED IN PURPLE INK

MIAMI-DADE COUNTY 75MPH WIND LOAD FOR HIGH VELOCITY HURRICANE ZONE  
 STYLE# V402-4TR  
 DESCRIPTION Vinyl 4' High Spaced Picket with Pointed Cap Scalloped

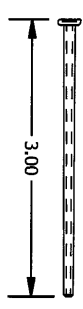
Eastern Wholesale Fence, Inc. - 274 Middle Island Rd. Medford, NY 11763

www.IllusionsFence.com

SHEET 13 OF 18  
 10-08-09



Approved as complying with the  
 Florida Building Code  
 Date 12/03/2009  
 NOA# 09-082607  
 Miami Dade Product Control  
 Division  
 By *[Signature]*



NOA #09-082607  
 Fence height may  
 be subject to local  
 code regulations

ITEM	QTY	PART DESCRIPTION
1	27	1.5"x1.5" PICKETS
2	1	2"x3.5"x8" TOP RAIL
3	1	2"x6"x8" BOTTOM RAIL
4	27	1.5"x1.5" PYRAMID CAP
5	4	3" SCREW
6	2	5"x5"x7" HEAVY WALL POSTS

FRED S. CARDWELL, P.E.  
 18-26-09

FLORIDA # 1567  
 1000 SOUTH BELCHER RD  
 BLDG-A / UNIT #11  
 LARGO, FLORIDA 33777  
 VOICE: 727-524-1900  
 FAX: 727-524-1292

MIAMI-DADE COUNTY 75MPH WIND LOAD FOR HIGH VELOCITY HURRICANE ZONE  
 STYLE# V700-4  
 DESCRIPTION Vinyl 4' High Victorian Straight Top with Pyramid Cap

Eastern Wholesale Fence, Inc. - 274 Middle Island Rd. Medford, NY 11763



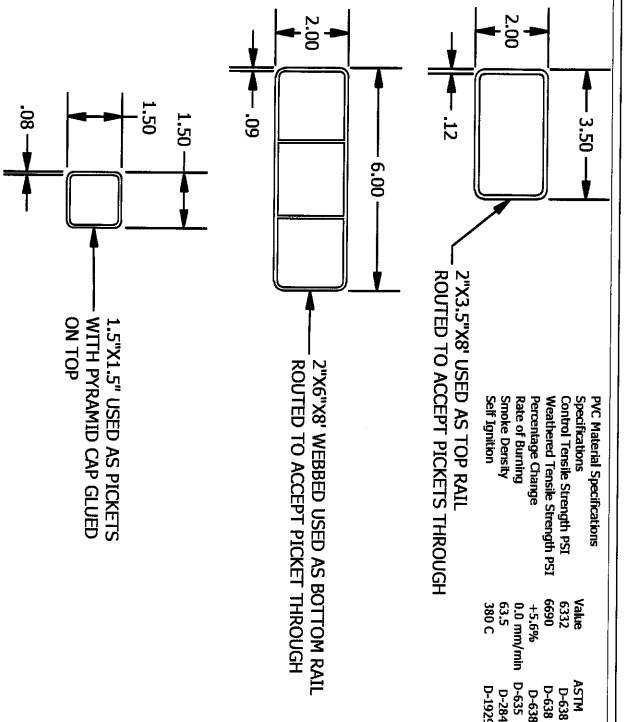
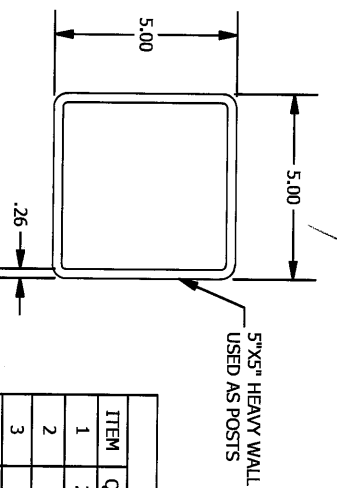
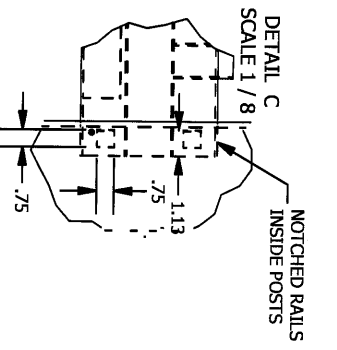
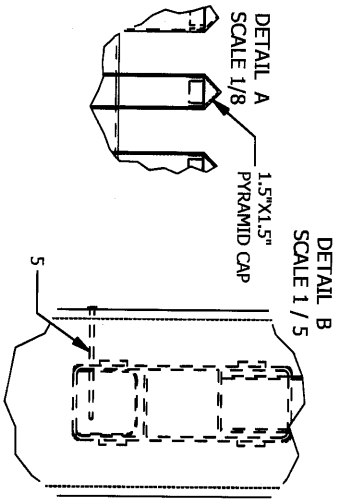
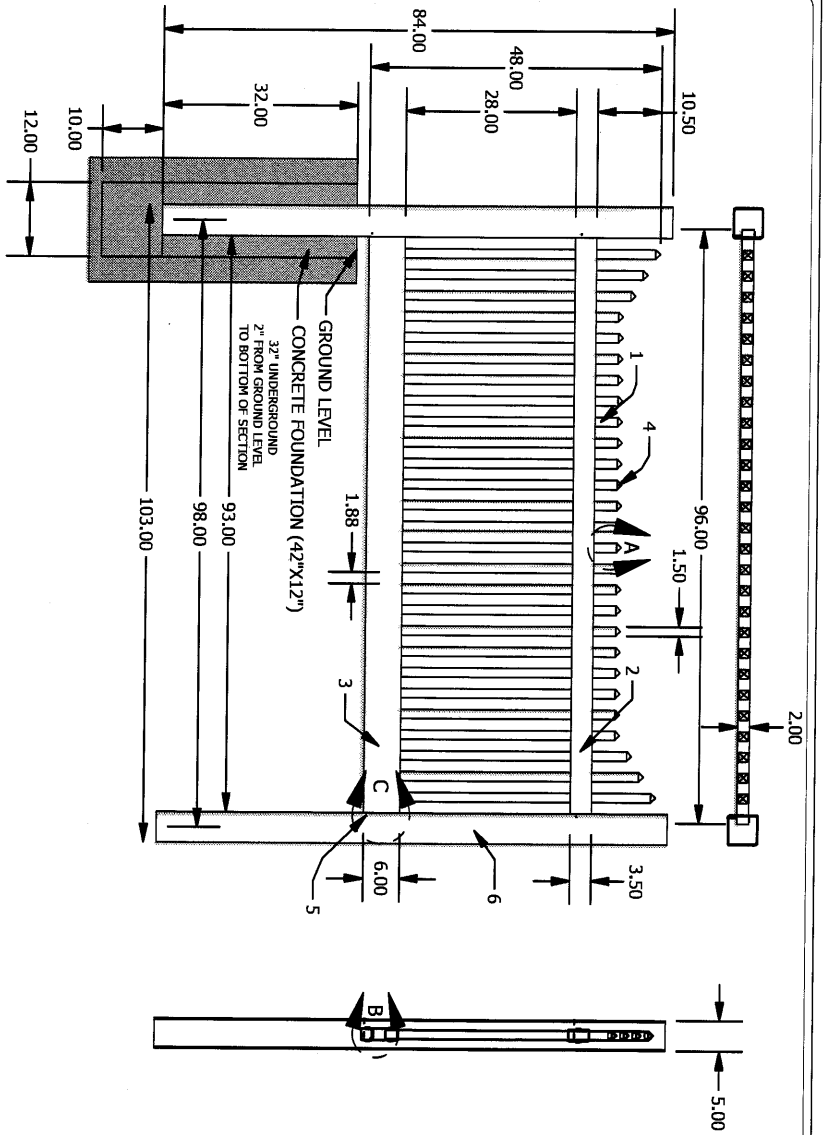
www.IllusionsFence.com

SHEET

14

SHEET 14 OF 18  
 10-08-09





Approved as complying with the  
 Florida Building Code  
 Date 12/10/12  
 NOA # 09-0826.07  
 Miami-Dade Product Control  
 Division  
 By *[Signature]*



NOA #09-0826.07  
 Fence height may  
 be subject to local  
 code regulations

BILL OF MATERIALS	
ITEM	QTY
1	27
2	1
3	1
4	27
5	4
6	2

FRED S. CARDWELL, P.E.  
 10-26-09

MIAMI-DADE COUNTY 75MPH WIND LOAD FOR HIGH VELOCITY HURRICANE ZONE  
 STYLE# V706-4  
 DESCRIPTION Vinyl 4' High Victorian Stepped Top with Pyramid Cap

FLORIDA # 15607  
 1000 SOUTH BECHER RD  
 BLDG-A / UNIT #11  
 LARGO, FLORIDA 33773  
 VOICE: 727-524-1199  
 FAX: 727-524-1199  
 THIS DRAWING IS NOT VALID UNLESS  
 SIGNED IN PURPLE INK

Eastern Wholesale Fence, Inc. - 274 Middle Island Rd, Medford, NY 11763

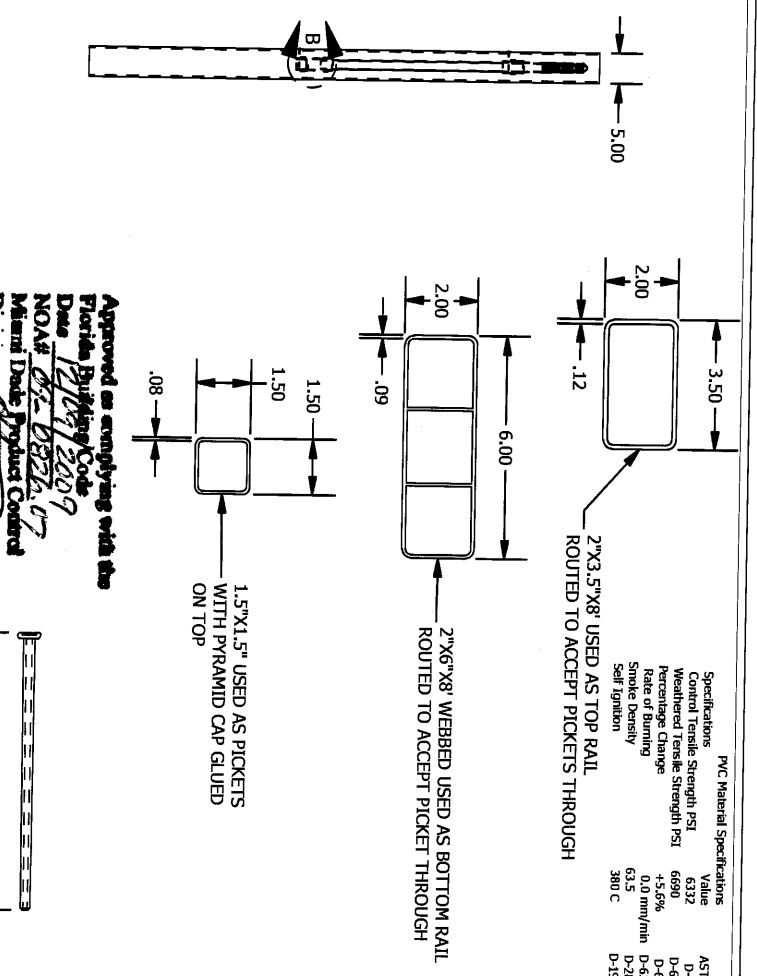
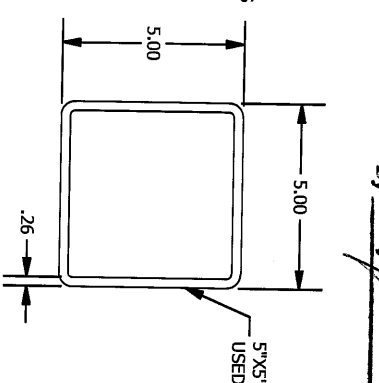
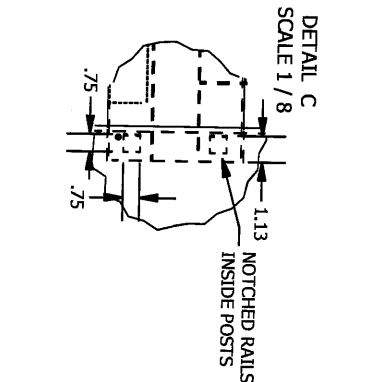
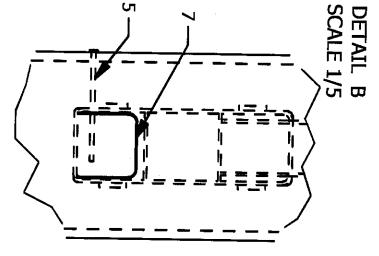
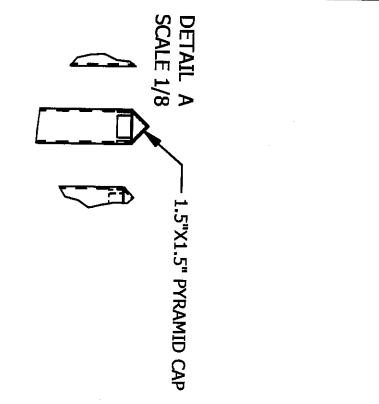
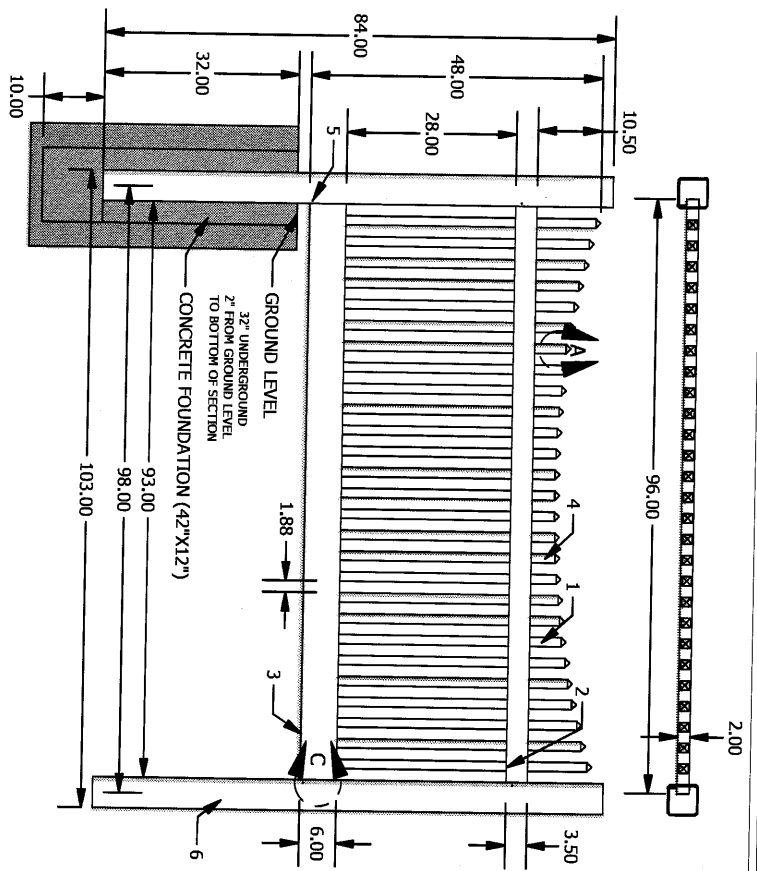


www.IllusionsFence.com

SHEET

15

SHEET 15 OF 18  
 10-08-09



Approved as complying with the Florida Building Code  
 Date July 1, 2009  
 NOA# 09-0826-07  
 Miami Dade Product Control Division  
 By [Signature]

NOA #09-0826.07  
 Fence height may be subject to local code regulations

BILL OF MATERIALS		
ITEM	QTY	PART DESCRIPTION
1	27	1.5"x1.5" PICKETS
2	1	2"x3.5"x8" TOP RAIL
3	1	2"x6"x8" BOTTOM RAIL
4	27	1.5"x1.5" PYRAMID CAP
5	4	3" SCREW
6	2	5"x5"x7" HEAVY WALL POSTS

FRED S. CARROLL, P.E.  
 15-26-09

1000 SOUTH BELCHER RD  
 BELCHER, FLORIDA 34628  
 PHONE: 727-524-1395  
 FAX: 727-524-1395

THIS DRAWING IS NOT VALID UNLESS SIGNED IN PURPLE INK

MIAMI-DADE COUNTY 75MPH WIND LOAD FOR HIGH VELOCITY HURRICANE ZONE  
 STYLE# V707-4  
 DESCRIPTION Vinyl 4" High Victorian Scalloped Top with Pyramid Cap

Eastern Wholesale Fence, Inc. - 274 Middle Island Rd. Medford, NY 11763



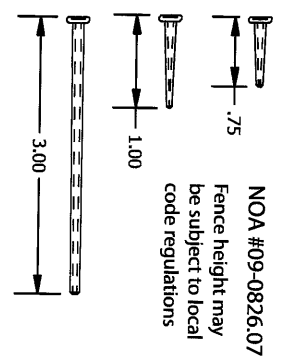
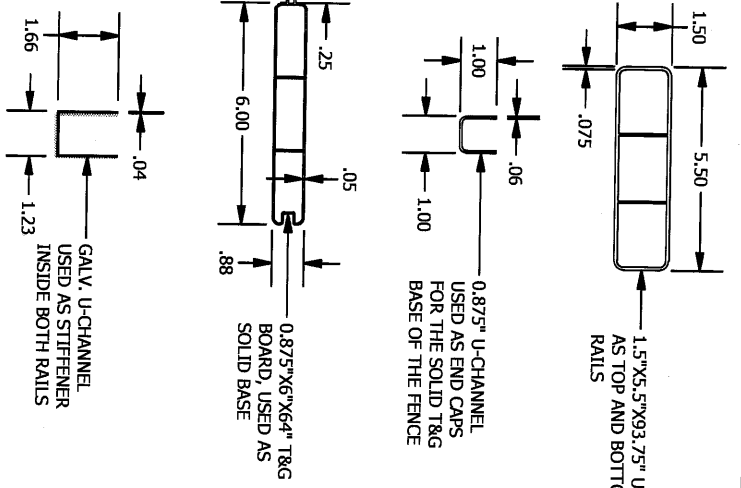
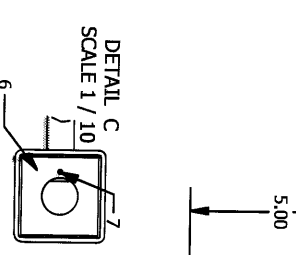
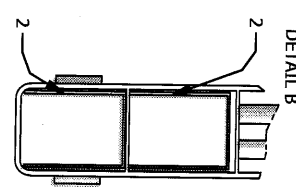
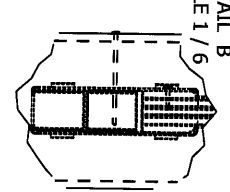
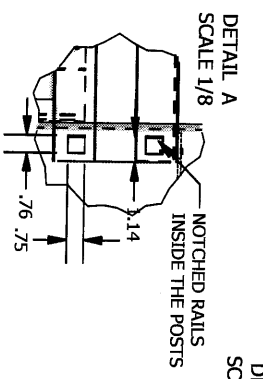
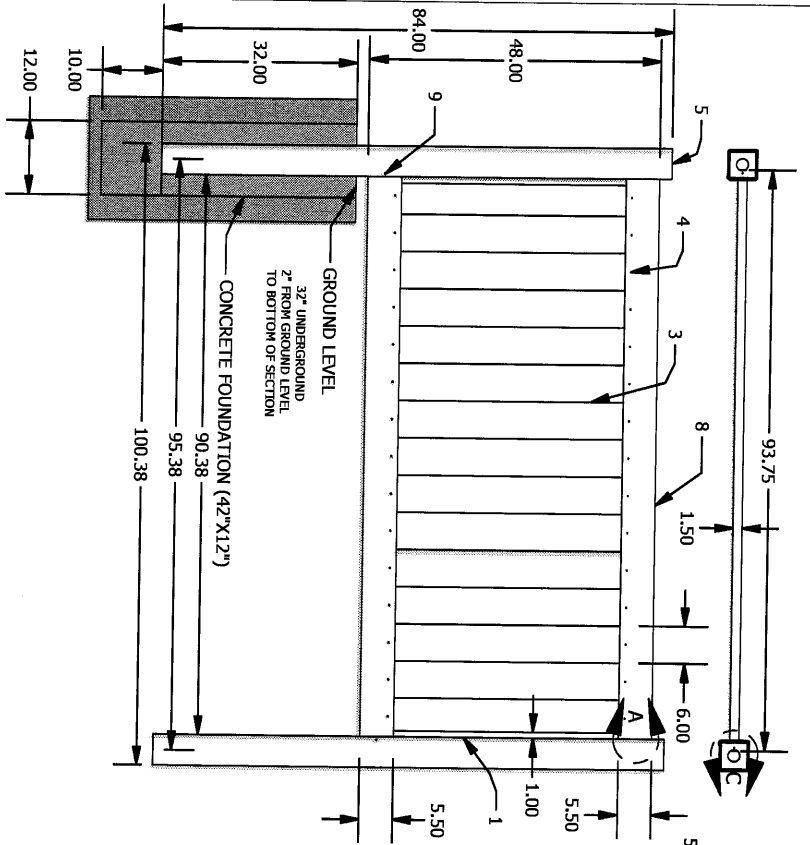
www.IllusionsFence.com

SHEET

16

SHEET 16 OF 18  
 10-08-09

WIND TEST 0299 ILLUSIONS FENCE 0009



Approved as complying with the Florida Building Code  
 Date: 11/17/2019  
 NOA# 09-0826.07  
 Miami Dade Product Control  
 Division  
 By: [Signature]

Per Material Specifications

Specifications	Value	ASTM
Control Tensile Strength PSI	6332	D-538
Weathered Tensile Strength PSI	6590	D-538
Rate of Elongation	1.5-6%	D-538
Smear Density	4.0 mm/min	D-2893
Self Ignition	5.2	D-1929
	380 C	

BILL OF MATERIALS

ITEM	QTY	PART DESCRIPTION
1	2	0.875\"/>

\*OFFERED IN THREE COLORS (WHITE-TAN-GRAY)

FRED S. CARDWELL, P.E.  
 15-26-09

FLORIDA 15897  
 1000 SOUTH BEACHER RD  
 BLOCK 4 / UNIT #11  
 MIAMI, FLORIDA 33171  
 PHONE: 772-247-1805  
 FAX: 772-247-1299  
 THIS DRAWING IS NOT VALID UNLESS  
 SIGNED IN PURPLE INK

MIAMI-DADE COUNTY 75MPH WIND LOAD FOR HIGH VELOCITY HURRICANE ZONE  
 STYLE# V300-4  
 DESCRIPTION Vinyl 4' High Tongue & Groove Solid Panel

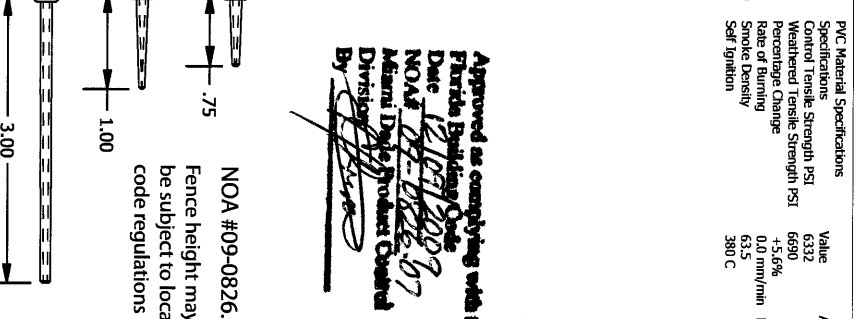
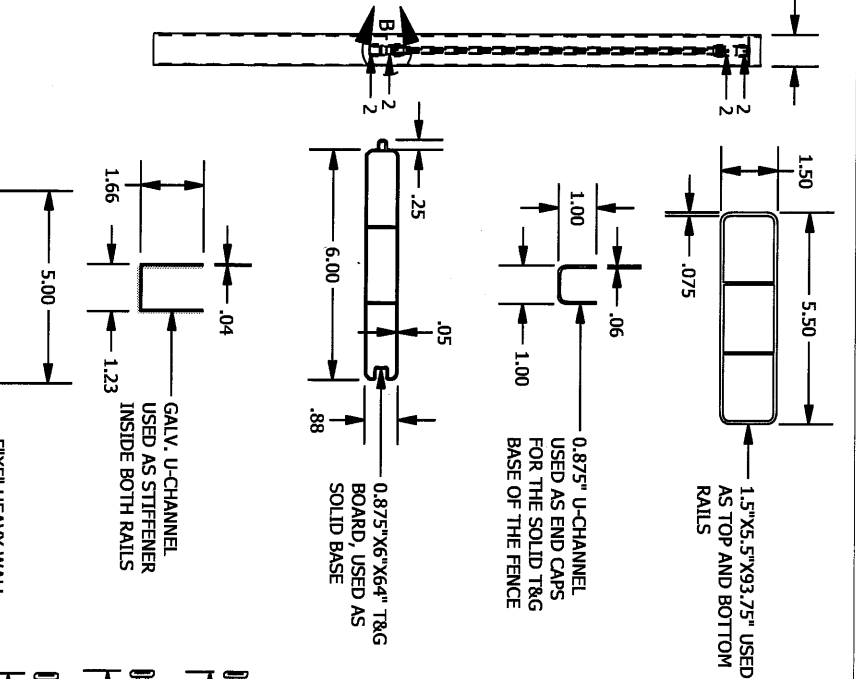
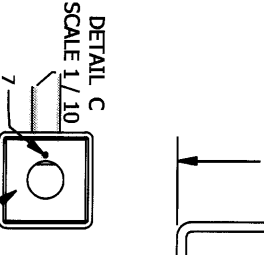
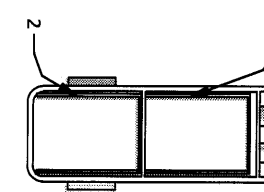
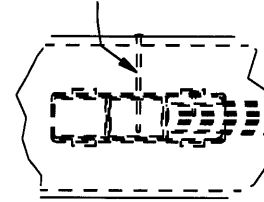
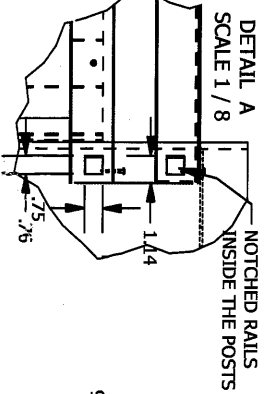
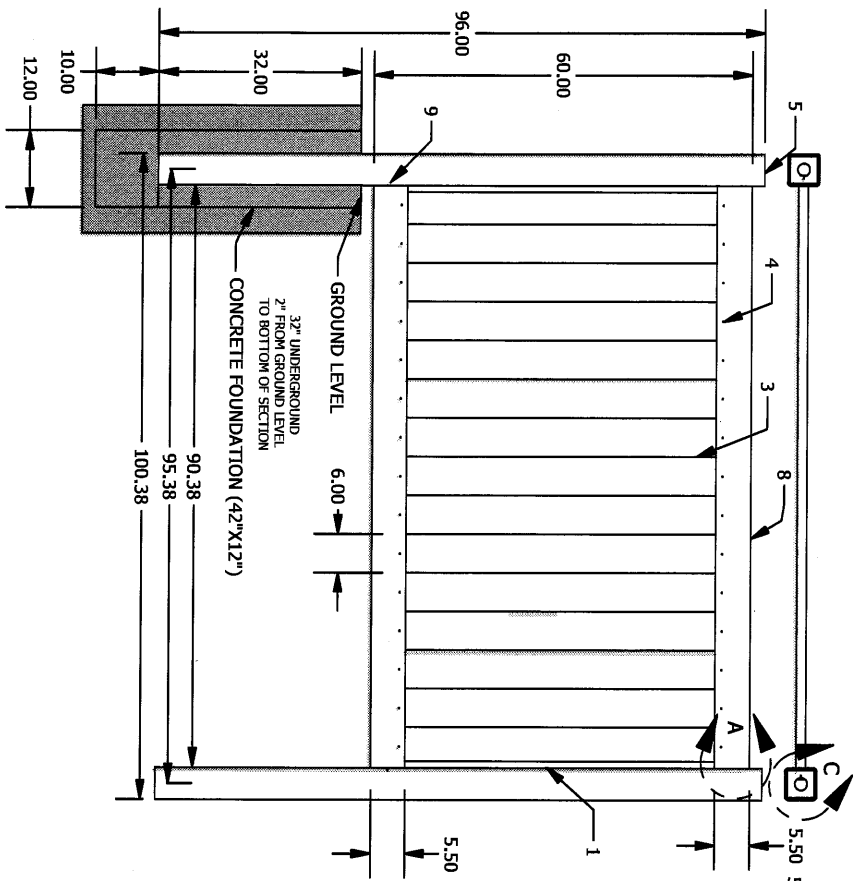
Eastern Wholesale Fence, Inc. - 274 Middle Island Rd. Medford, NY 11763



www.IllusionsFence.com

SHEET 17 OF 18  
 10-07-09

17



\*SAME SPECIFICATIONS APPLY TO THE 4' H AND 5' H FENCE SYSTEMS  
 \*OFFERED IN THREE COLORS (WHITE-TAN-GRAY)

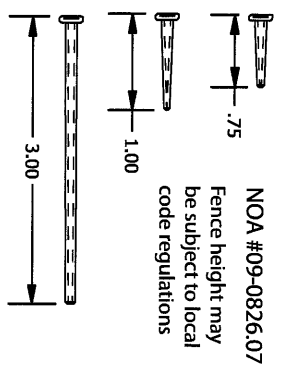
FRED S. CARDWELL, P.E.  
 10-26-09

FLORIDA# 15807  
 1000 SOUTH BECHER RD  
 BLDG-A / UNIT #11  
 LARGO, FLORIDA 33771  
 VOICE: 727-524-1985  
 FAX: 727-524-1299

MIAMI-DADE COUNTY 75MPH WIND LOAD FOR HIGH VELOCITY HURRICANE ZONE  
 STYLE # V300-5  
 DESCRIPTION Vinyl 5' High Tongue & Groove Solid Panel

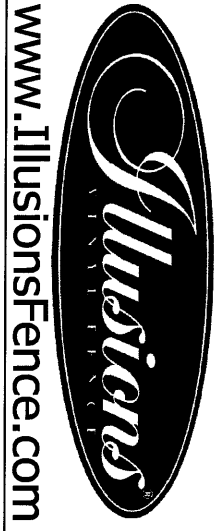
ITEM	QTY	PART DESCRIPTION
1	2	0.875" U-CHANNEL
2	4	GALV. U-CHANNEL
3	15	64" T&G BOARD
4	30	0.75" SCREW
5	2	5"X5"X9' HEAVY WALL POST
6	2	POST INSERT
7	2	1" SCREW
8	2	1.5"X5.5" RAIL
9	2	3" SCREW

BILL OF MATERIALS



Approved as complying with the Florida Building Code  
 Date 12/21/2009  
 NOA# 09-0826.07  
 Miami Dept. of Product Control  
 Division of Building  
 By [Signature]

Specifications	Value	ASTM
Control Tensile Strength PSI	6332	D-638
Weathered Tensile Strength PSI	6690	D-638
Percentage Change	+3.6%	D-638
Rate of Burning	0.0 mm/min	D-635
Smoke Density	63.5	D-2843
Self Ignition	380 C	D-1929



SHEET 18  
 SHEET 18 OF 18  
 10-08-09

Eastern Wholesale Fence, Inc. - 274 Middle Island Rd. Medford, NY 11763