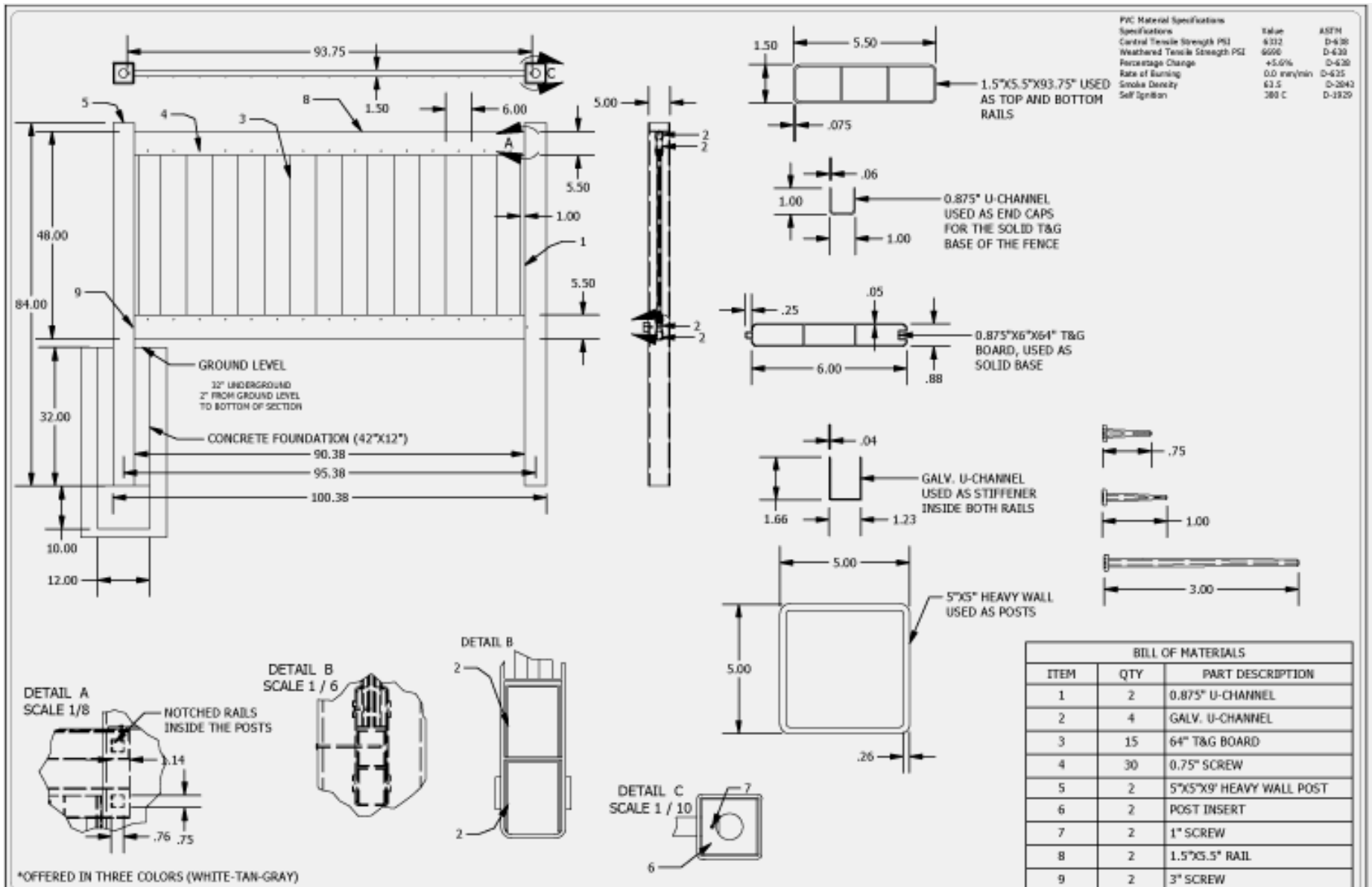




profencesupply.com

toll free 866.415.6609



*OFFERED IN THREE COLORS (WHITE-TAN-GRAY)

FRED S. CARDWELL, P.E.
 FLOREN# 15607
 3900 SOUTH BELCHER RD
 BLDG-A, / UNIT 111
 LARGO, FLORIDA 33771
 VOICE: 727-524-2805
 FAX: 727-524-1289
 THIS DRAWING IS NOT VALID UNLESS
 SIGNED IN PURPLE INK

MIAMI-DADE COUNTY 75MPH WIND LOAD FOR HIGH VELOCITY HURRICANE ZONE

STYLE#	DESCRIPTION
V300-4	Vinyl 4' High Tongue & Groove Solid Panel

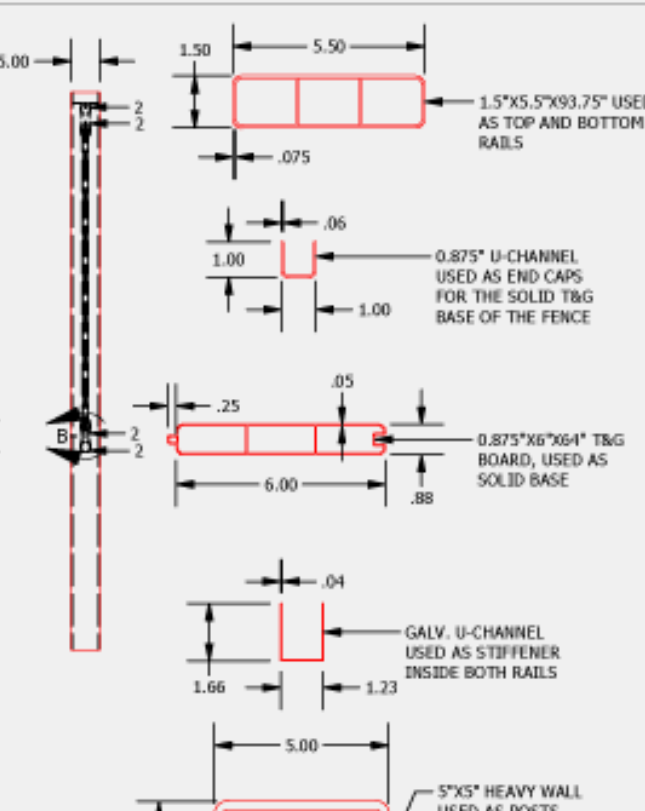
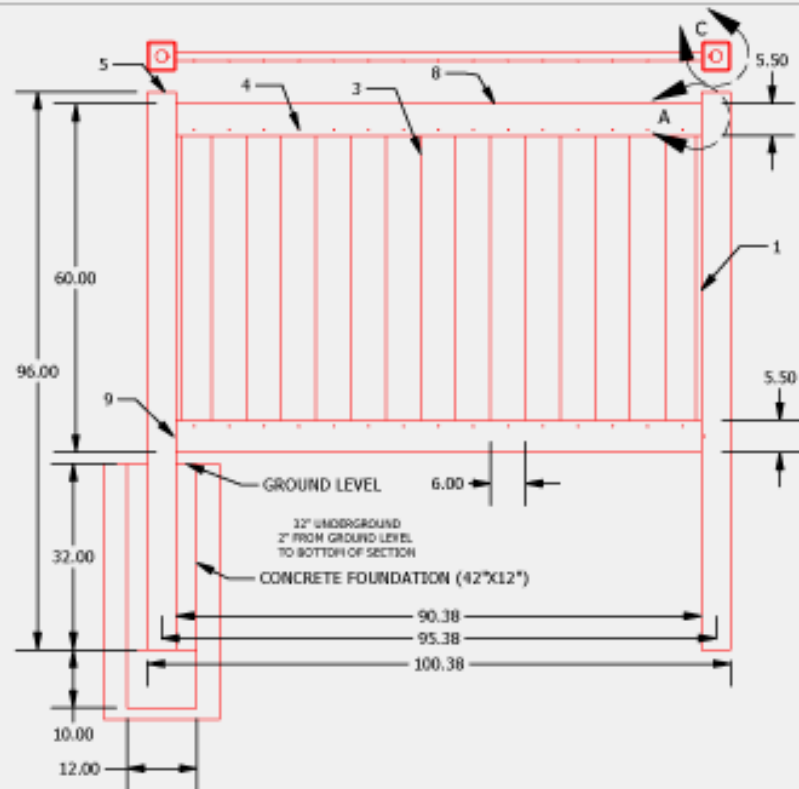
Eastern Wholesale Fence, Inc. - 274 Middle Island Rd. Medford, NY 11763



www.IllusionsFence.com

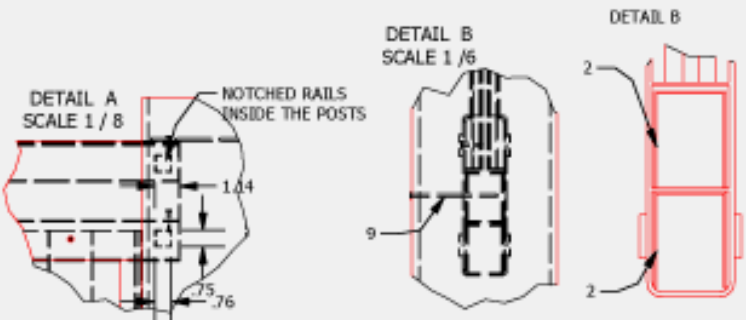
SHEET
17
 SHEET 17 OF 18
 10-07-09

PROTECT YOUR INVESTMENT



PVC Material Specifications

Specifications	Value	ASTM
Control Tensile Strength PSI	6332	D-438
Weathered Tensile Strength PSI	6660	D-438
Percentage Change	+5.6%	D-438
Rate of Burning	0.0 mm/min	D-635
Smoke Density	63.5	D-2840
Self Ignition	390 C	D-1925



*SAME SPECIFICATIONS APPLY TO THE 4' H AND 5' H FENCE SYSTEMS
 *OFFERED IN THREE COLORS (WHITE-TAN-GRAY)

BILL OF MATERIALS		
ITEM	QTY	PART DESCRIPTION
1	2	0.875" U-CHANNEL
2	4	GALV. U-CHANNEL
3	15	64" T&G BOARD
4	30	0.75" SCREW
5	2	5"X5"X8" HEAVY WALL POST
6	2	POST INSERT
7	2	1" SCREW
8	2	1.5"X5.5" RAIL
9	2	3" SCREW

FSE
FRED S. CARDWELL, P.E.
 FLORENCE 1900
 3900 SOUTH BELCHER RD
 BLDG-A / UNIT 113
 LARGO, FLORIDA 33771
 VOICE: 727-524-3905
 FAX: 727-524-1299
 THIS DRAWING IS NOT VALID UNLESS
 SIGNED IN PURPLE INK

MIAMI-DADE COUNTY 75MPH WIND LOAD FOR HIGH VELOCITY HURRICANE ZONE

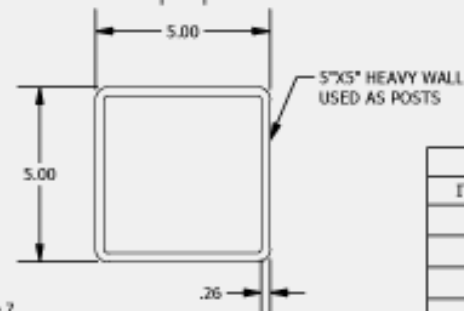
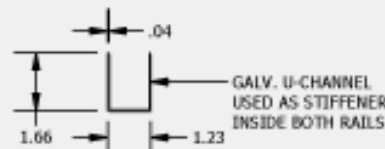
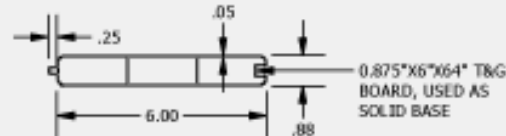
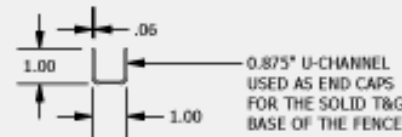
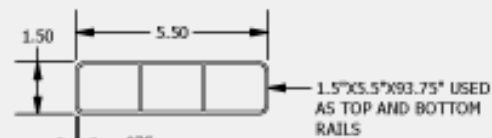
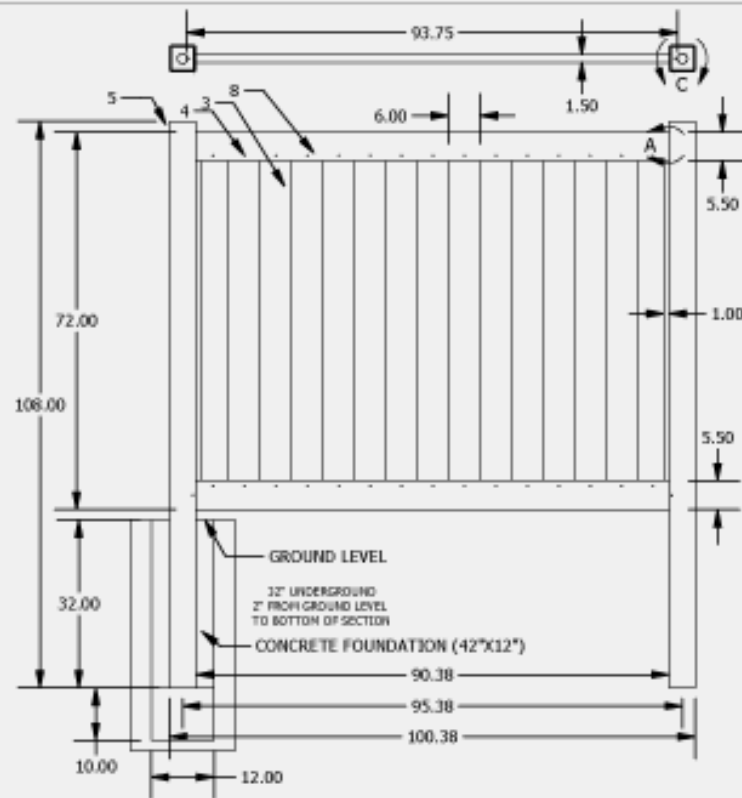
STYLE#	DESCRIPTION
V300-5	Vinyl 5' High Tongue & Groove Solid Panel

Illusions
 Vinyl Fence
 www.IllusionsFence.com

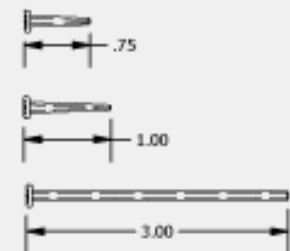
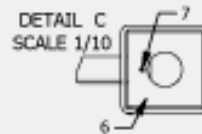
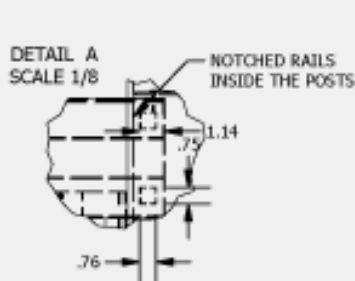
SHEET
18
 SHEET 18 OF 18
 10-08-09

Eastern Wholesale Fence, Inc. - 274 Middle Island Rd. Medford, NY 11763

WPC 1017 0809 02 000001 FENCE 0000



PVC Material Specifications	Value	ASTM
Control Tensile Strength PSI	6532	D-638
Weathered Tensile Strength PSI	6690	D-638
Percentage Change	+5.6%	D-638
Rate of Burning	0.0 min/min	D-635
Smoke Density	63.5	D-2843
Self Ignition	380 C	D-569



BILL OF MATERIALS		
ITEM	QTY	PART DESCRIPTION
1	2	0.875" U-CHANNEL
2	4	GALV. U-CHANNEL
3	15	64" T&G BOARD
4	30	0.75" SCREW
5	2	5"X5"X9" HEAVY WALL POST
6	2	POST INSERT
7	2	1" SCREW
8	2	1.5"X5.5" RAIL
9	2	3" SCREW

*OFFERED IN THREE COLORS (WHITE-TAN-GRAY)

F S C
FRED S. CARDWELL, P.E.
 LICENSE# 15607
 3906 SOUTH BELCHER RD
 BELLEVILLE, FLORIDA 33571
 VOICEMAIL: 727-524-9805
 FAX: 727-524-4286

THIS DRAWING IS NOT VALID UNLESS
 SIGNED IN PURPLE INK.

MIAMI-DADE COUNTY 75MPH WIND LOAD FOR HIGH VELOCITY HURRICANE ZONE

STYLE#	DESCRIPTION
V300-6	Vinyl 6' High Tongue & Groove Solid Panel

Eastern Wholesale Fence, Inc. - 274 Middle Island Rd. Medford, NY 11763



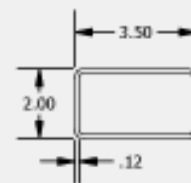
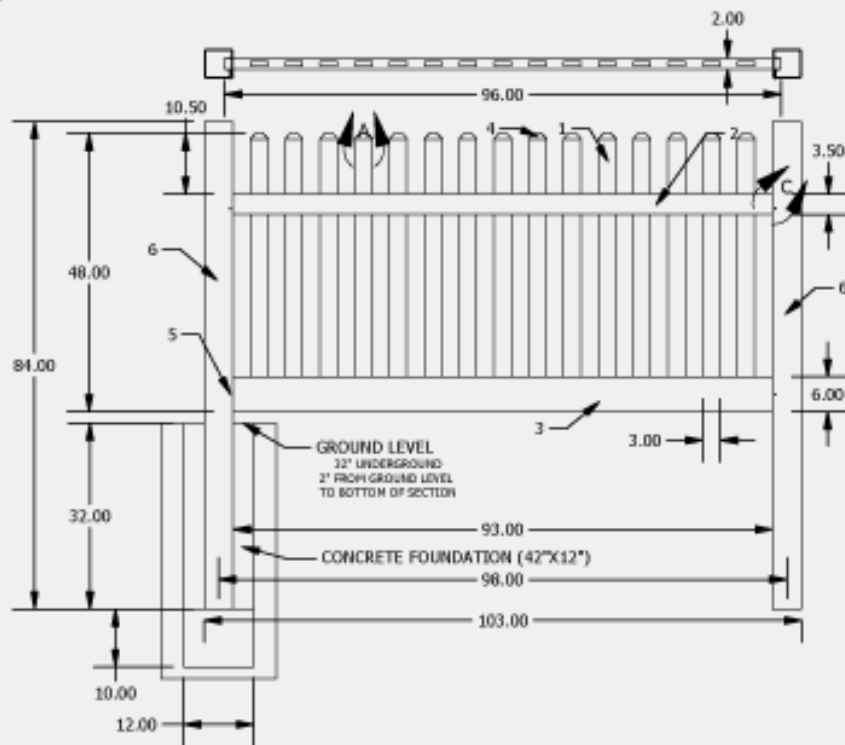
www.IllusionsFence.com

SHEET

1

SHEET 1 OF 18
 10-07-09

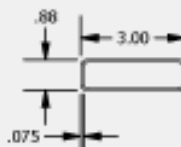
WFC 307 030 02 020000 10000 0000



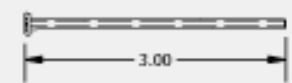
2\"/>



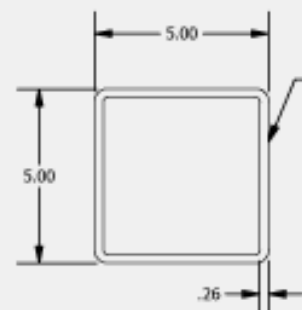
2\"/>



0.875\"/>



3.00

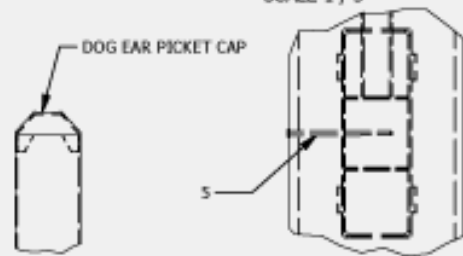


5\"/>

BILL OF MATERIALS

ITEM	QTY	PART DESCRIPTION
1	15	0.875\"/>
2	1	2\"/>
3	1	2\"/>
4	15	0.875\"/>
5	4	3\"/>
6	2	5\"/>

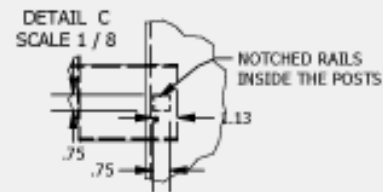
DETAIL B
SCALE 1 / 5



DETAIL A
SCALE 1 / 8



DETAIL C
SCALE 1 / 8



F S C
FRED S. CARDWELL, P.E.
 LICENSED PROFESSIONAL ENGINEER
 1900 SOUTH BELCHER RD
 BLDG-A, J UNIT 013
 LARGO, FLORIDA 33775
 PHONE: 727-524-1905
 FAX: 727-524-1299

THIS DRAWING IS NOT VALID UNLESS
 SIGNED IN PURPLE INK.

MIAMI-DADE COUNTY 75MPH WIND LOAD FOR HIGH VELOCITY HURRICANE ZONE

STYLE#	DESCRIPTION
V350-4TR	Vinyl 4' High Spaced Picket with Dog Ear Cap

Eastern Wholesale Fence, Inc. - 274 Middle Island Rd. Medford, NY 11763



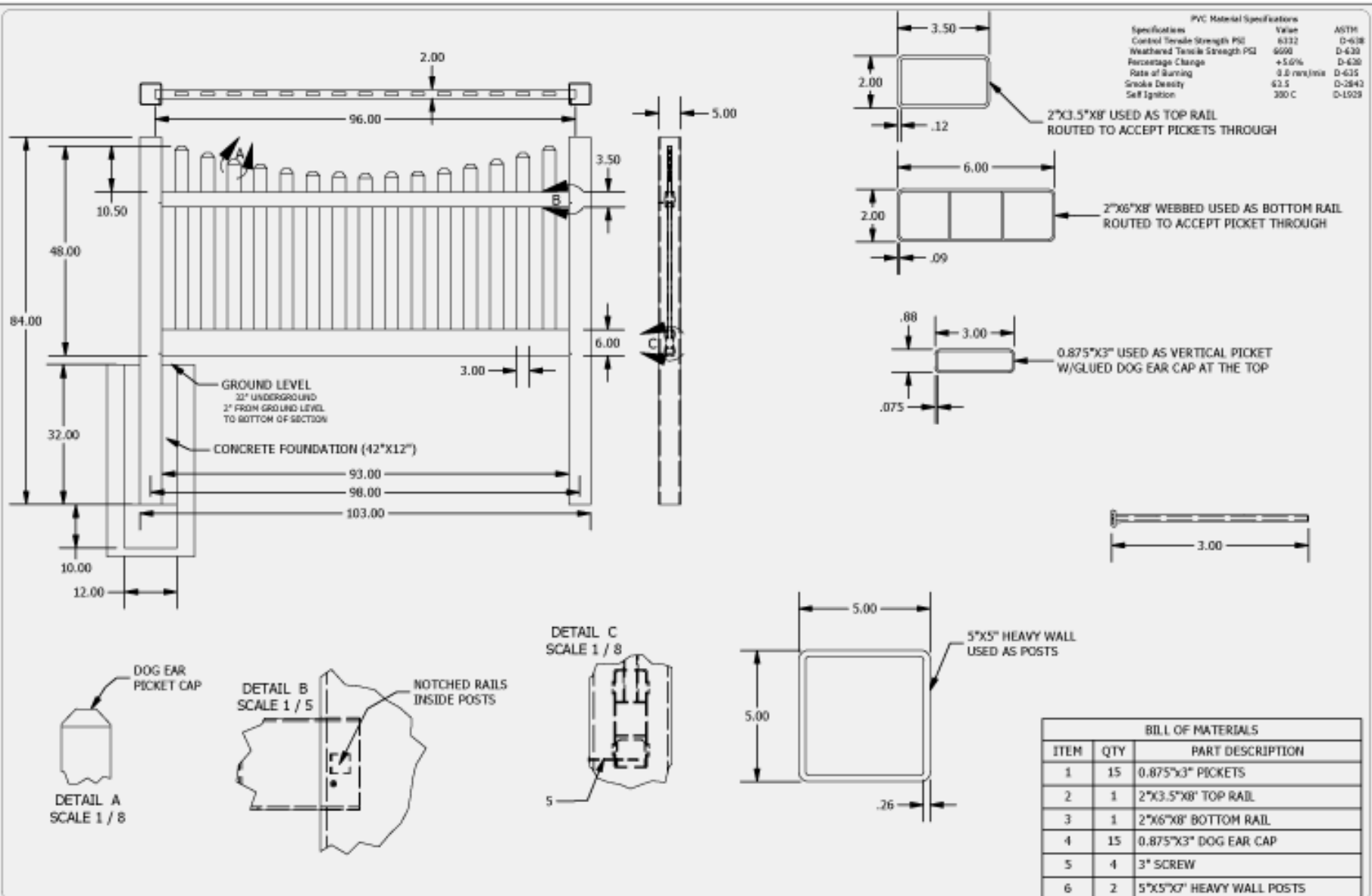
www.IllusionsFence.com

SHEET

6

SHEET 6 OF 18
 10-08-09

VPD 1011 000 13-0010 1000 0000



FSD
FRED S. CARDWELL, P.E.
 FLORENCE 15607
 3900 SOUTH BELCHER RD
 BLDG-A / UNIT 013
 LARGO, FLORIDA 33775
 PHONE: 727-524-2805
 FAX: 727-524-1289
 THIS DRAWING IS NOT VALID UNLESS
 SIGNED IN PURPLE INK

MIAMI-DADE COUNTY 75MPH WIND LOAD FOR HIGH VELOCITY HURRICANE ZONE

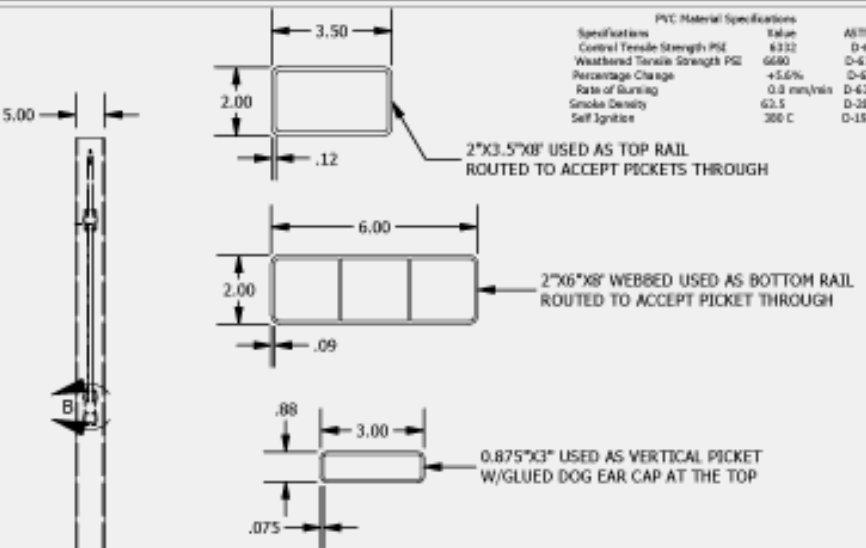
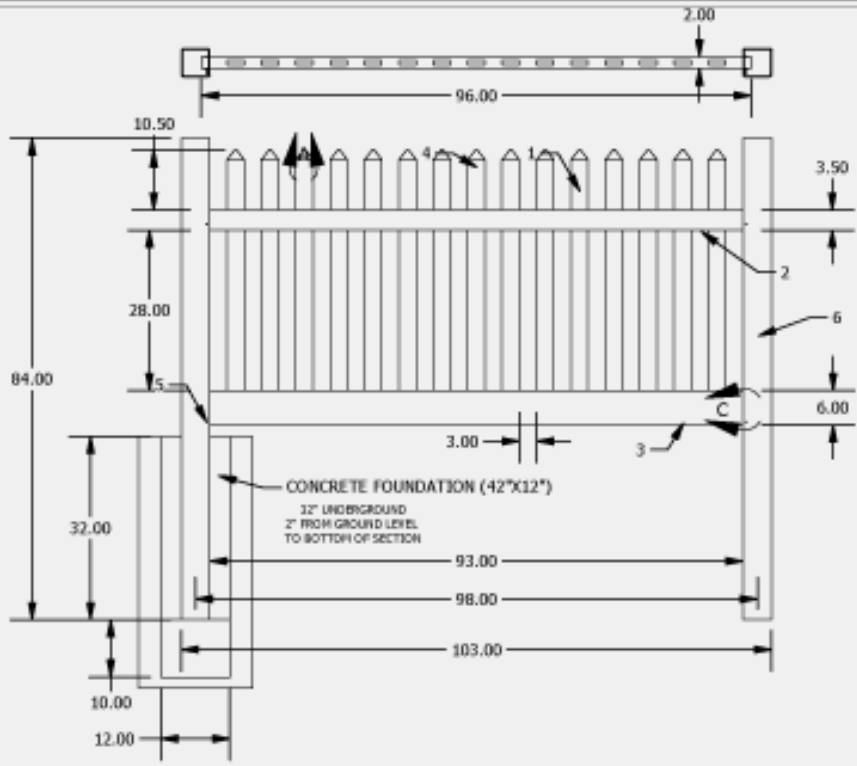
STYLE#	DESCRIPTION
V352-4TR	Vinyl 4" High Spaced Picket with Dog Ear Scallop

Eastern Wholesale Fence, Inc. - 274 Middle Island Rd. Medford, NY 11763

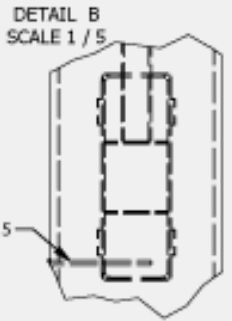
Illusions
 VINYL FENCE
www.IllusionsFence.com

SHEET
7
 SHEET 7 OF 18
 10-08-09

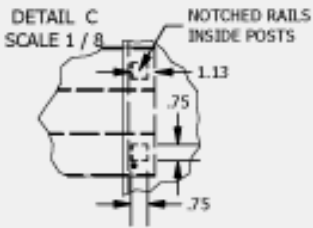
PVC Material Specifications		
Specifications	Value	ASTM
Control Tensile Strength PSI	6332	D-638
Weathered Tensile Strength PSI	6590	D-638
Percentage Change	+5.6%	D-638
Rate of Burning	0.8 mm/min	D-635
Smoke Density	62.5	D-2843
Self Ignition	380 C	D-1929



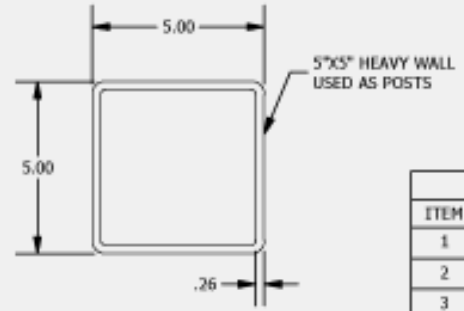
POINTED PICKET CAP



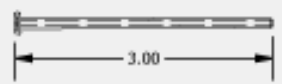
DETAIL B SCALE 1 / 5



DETAIL C SCALE 1 / 8 NOTCHED RAILS INSIDE POSTS



5"x5" HEAVY WALL USED AS POSTS



BILL OF MATERIALS		
ITEM	QTY	PART DESCRIPTION
1	15	0.875"x3" PICKETS
2	1	2"x3.5"x8" TOP RAIL
3	1	2"x6"x8" BOTTOM RAIL
4	15	0.875"x3" POINTED CAP
5	4	3" SCREW
6	2	5"x5"x7" HEAVY WALL POSTS



FRED S. CARDWELL, P.E.
 LICENSE# 15607
 3908 SOUTH WELCHER RD
 BLDNG-A / UNIT C13
 LARGO, FLORIDA 32775
 PHONE: 727-524-1805
 FAX: 727-524-1289

THIS DRAWING IS NOT VALID UNLESS SIGNED IN PURPLE INK

MIAMI-DADE COUNTY 75MPH WIND LOAD FOR HIGH VELOCITY HURRICANE ZONE

STYLE#	DESCRIPTION
V401-4TR	Vinyl 4" High Spaced Picket with Pointed Cap

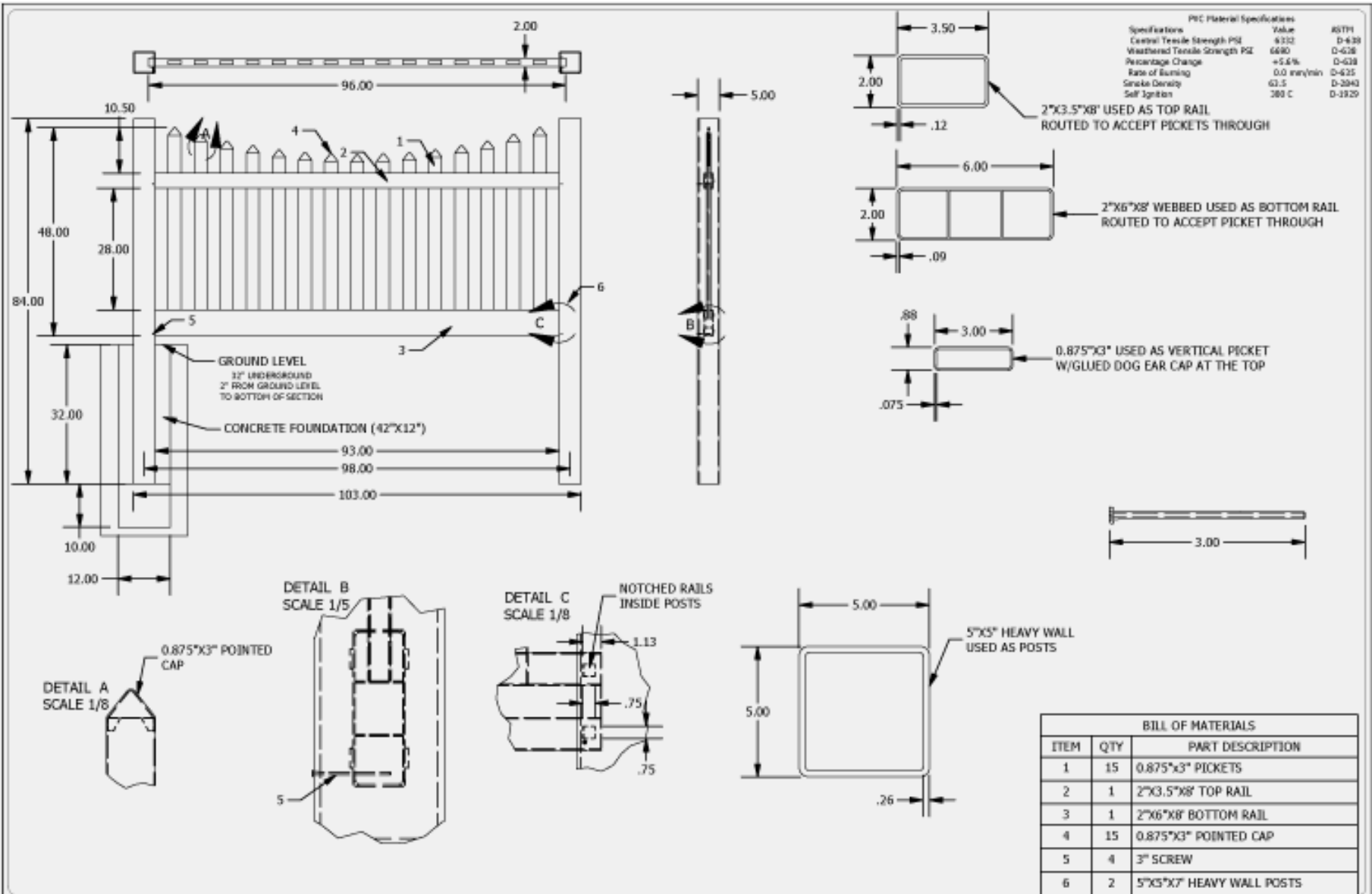
Eastern Wholesale Fence, Inc. - 274 Middle Island Rd. Medford, NY 11763



www.IllusionsFence.com

SHEET
12
 SHEET 12 OF 18
 10-08-09

8610 10/10/09 ILLUSIONS FENCE 0009



BILL OF MATERIALS		
ITEM	QTY	PART DESCRIPTION
1	15	0.875"x3" PICKETS
2	1	2"x3.5"x8" TOP RAIL
3	1	2"x6"x8" BOTTOM RAIL
4	15	0.875"x3" POINTED CAP
5	4	3" SCREW
6	2	5"x5"x7" HEAVY WALL POSTS

F S E
FRED S. CARDWELL, P.E.
 LICENSE# 15607
 3908 SOUTH BELCHER RD
 BLDG-A / UNIT 213
 LARGO, FLORIDA 33775
 PHONE: 727-524-1805
 FAX: 727-524-1289
 THIS DRAWING IS NOT VALID UNLESS
 SIGNED IN PURPLE INK

MIAMI-DADE COUNTY 75MPH WIND LOAD FOR HIGH VELOCITY HURRICANE ZONE

STYLE#	DESCRIPTION
V402-4TR	Vinyl 4" High Spaced Picket with Pointed Cap Scallop

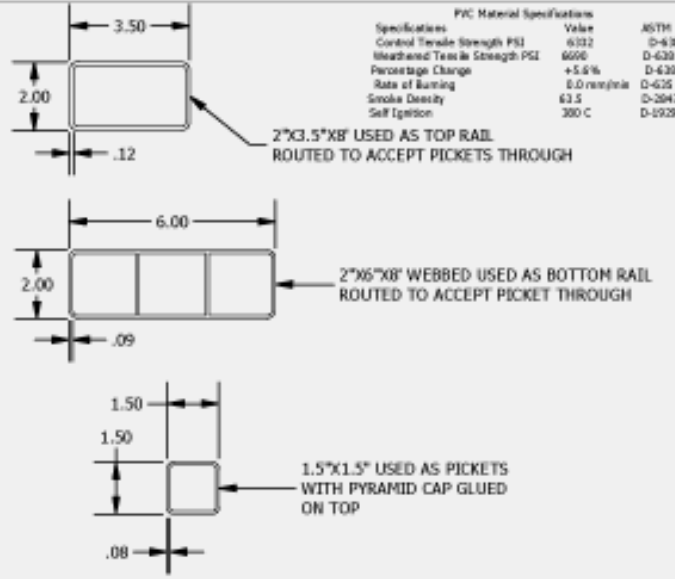
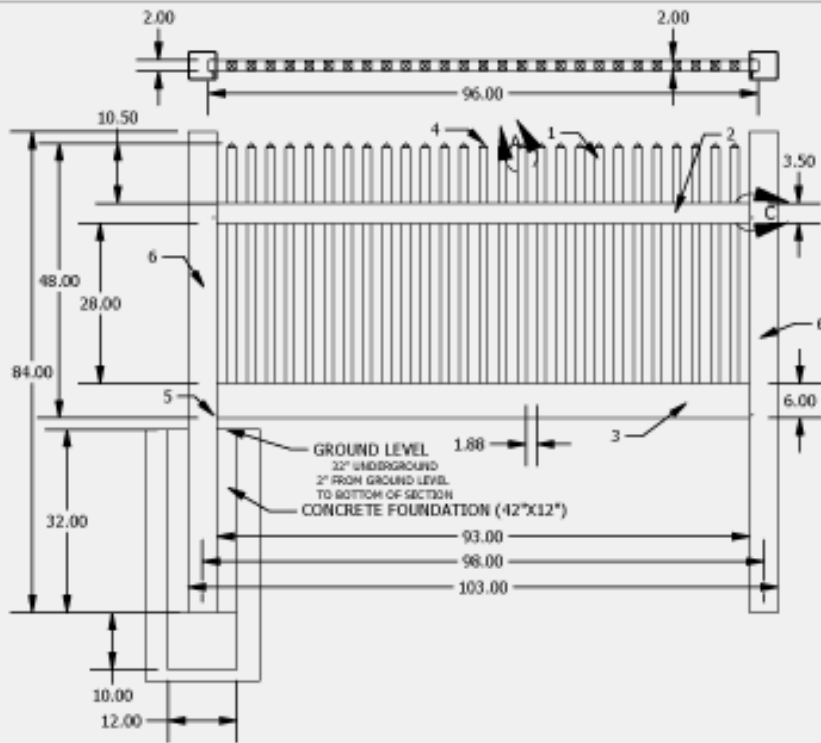
Eastern Wholesale Fence, Inc. - 274 Middle Island Rd. Medford, NY 11763

Illusions
 FENCE

www.IllusionsFence.com

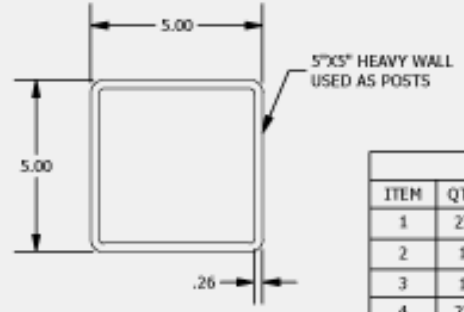
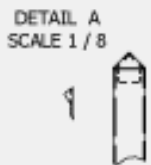
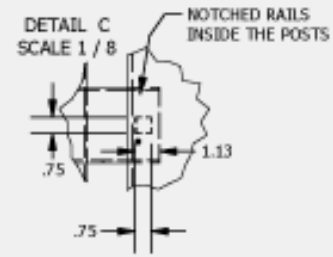
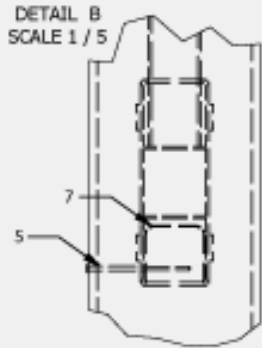
SHEET
13
 SHEET 13 OF 18
 10-08-09

NO. 101103 ILLUSIONS FENCE 0003



PVC Material Specifications

Specifications	Value	ASTM
Control Tensile Strength PSI	6332	D-638
Heatwood Tensile Strength PSI	6696	D-639
Percentage Change	+5.6%	D-639
Rate of Burning	0.0 mm/min	D-635
Smoke Density	63.5	D-2943
Self Ignition	300 C	D-1929



BILL OF MATERIALS		
ITEM	QTY	PART DESCRIPTION
1	27	1.5\"/>
2	1	2\"/>
3	1	2\"/>
4	27	1.5\"/>
5	4	3\"/>
6	2	5\"/>

F S E
FRED S. CARDWELL, P.E.
 FLOREN# 19207
 3826 SOUTH BELCHER RD
 BLDG-A / UNIT 113
 LARGO, FLORIDA 33775
 PHONE: 727-524-1805
 FAX: 727-524-1299
 THIS DRAWING IS NOT VALID UNLESS
 SIGNED IN PURPLE INK

MIAMI-DADE COUNTY 75MPH WIND LOAD FOR HIGH VELOCITY HURRICANE ZONE

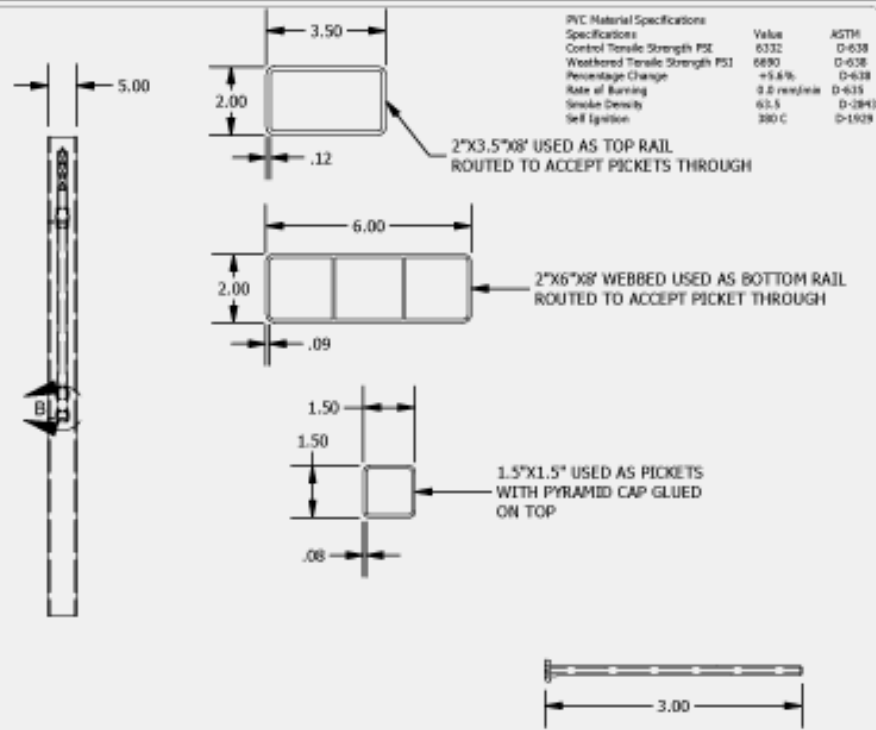
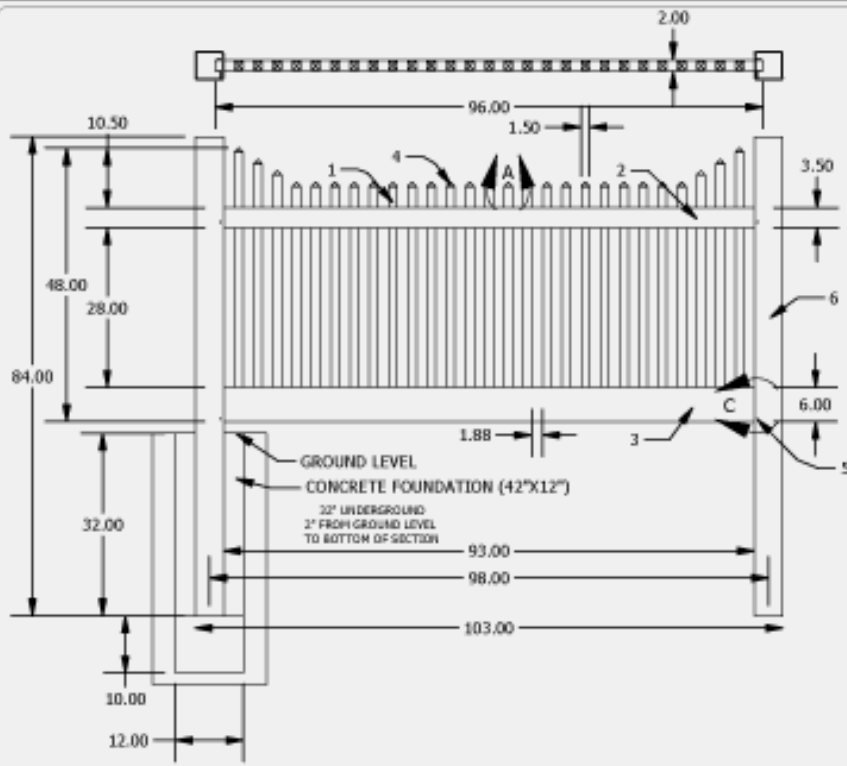
STYLE#	DESCRIPTION
V700-4	Vinyl 4' High Victorian Straight Top with Pyramid Cap

Eastern Wholesale Fence, Inc. - 274 Middle Island Rd. Medford, NY 11763

Illusions
 FENCE
www.IllusionsFence.com

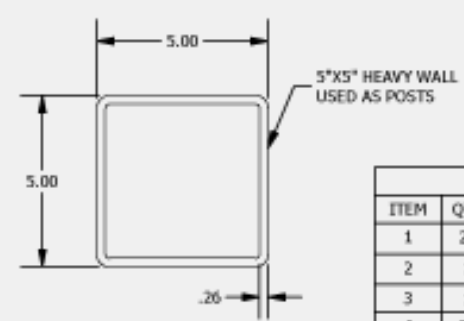
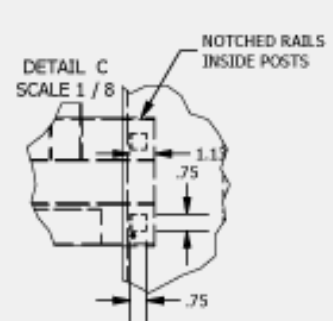
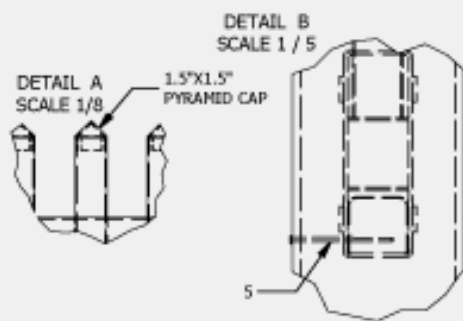
SHEET
14
 SHEET 14 OF 18
 10-08-09

PRINT DATE: 08/10/09 10:56:50 AM



PVC Material Specifications

Specifications	Value	ASTM
Control Tensile Strength PSI	6332	D-638
Weathered Tensile Strength PSI	6690	D-638
Percentage Change	+5.8%	D-638
Rate of Burning	3.0 minutes	D-635
Smoke Density	63.5	D-2843
Self Ignition	380 C	D-1929



BILL OF MATERIALS		
ITEM	QTY	PART DESCRIPTION
1	27	1.5"x1.5" PICKETS
2	1	2"x3.5"x8" TOP RAIL
3	1	2"x6"x8" BOTTOM RAIL
4	27	1.5"x1.5" PYRAMID CAP
5	4	3" SCREW
6	2	5"x5"x7" HEAVY WALL POSTS

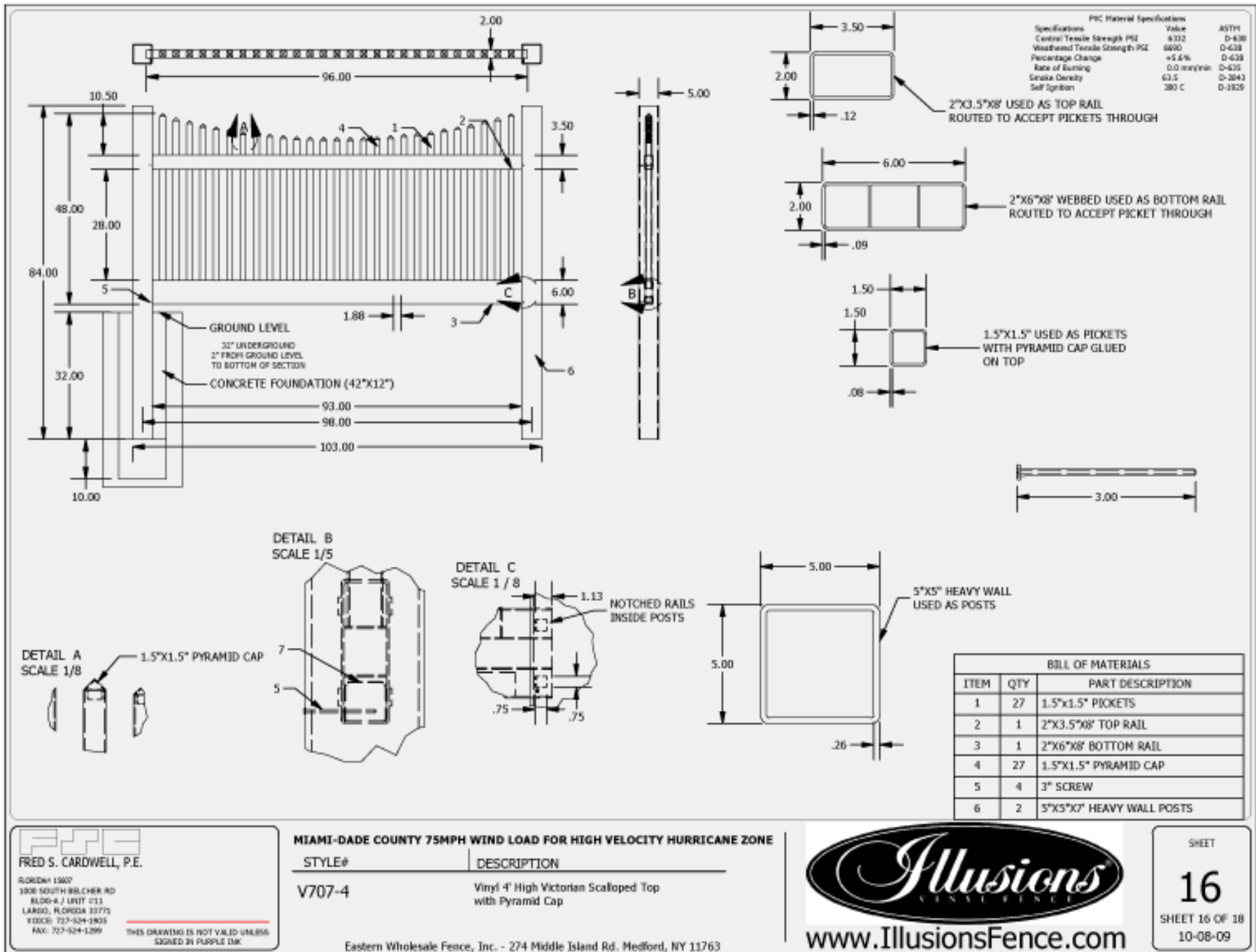
FRED S. CARDWELL, P.E.
 FLORIDA 19807
 3900 SOUTH BELCHER RD
 BLDG-A / UNIT 211
 LARGO, FLORIDA 33775
 PHONE: 727-524-1905
 FAX: 727-524-1299
 THIS DRAWING IS NOT VALID UNLESS
 SIGNED IN PURPLE INK.

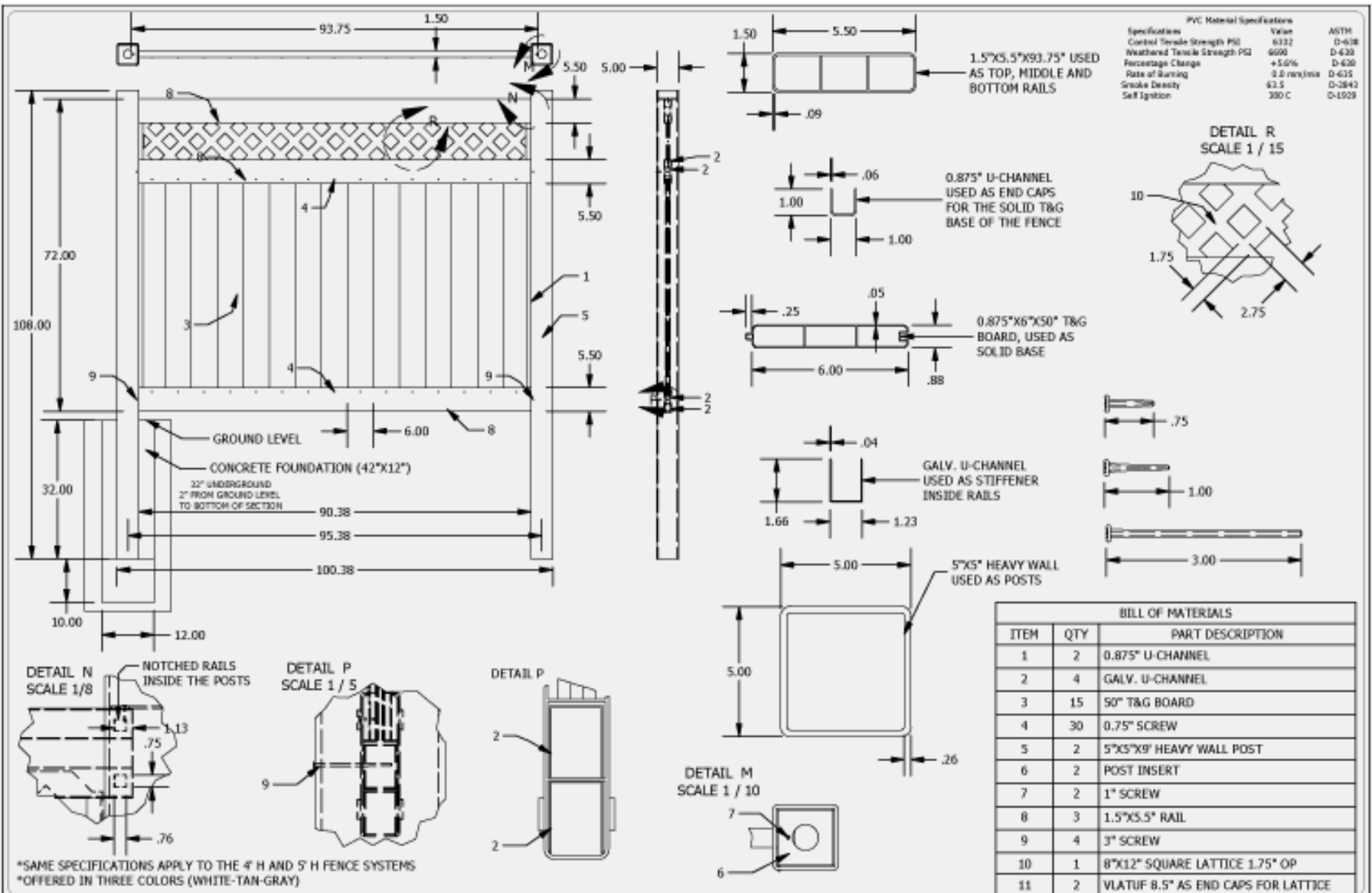
MIAMI-DADE COUNTY 75MPH WIND LOAD FOR HIGH VELOCITY HURRICANE ZONE	
STYLE#	DESCRIPTION
V706-4	Vinyl 4' High Victorian Stepped Top with Pyramid Cap

Eastern Wholesale Fence, Inc. - 274 Middle Island Rd. Medford, NY 11763

www.IllusionsFence.com

SHEET
15
 SHEET 15 OF 18
 10-08-09





*SAME SPECIFICATIONS APPLY TO THE 4' H AND 5' H FENCE SYSTEMS
 *OFFERED IN THREE COLORS (WHITE-TAN-GRAY)

FSE
FRED S. CARDWELL, P.E.

FLORIDA 15607
 3906 SOUTH WILCHER RD
 BLDG-A / UNIT 113
 LARGO, FLORIDA 33775
 PHONE: 727-524-1905
 FAX: 727-524-1289

THIS DRAWING IS NOT VALID UNLESS
 SIGNED IN PURPLE INK

MIAMI-DADE COUNTY 75MPH WIND LOAD FOR HIGH VELOCITY HURRICANE ZONE

STYLE#	DESCRIPTION
V3215D-6	Vinyl 6' High Tongue & Groove with Diagonal Lattice Top

Eastern Wholesale Fence, Inc. - 274 Middle Island Rd. Medford, NY 11763

Illusions
 FENCING

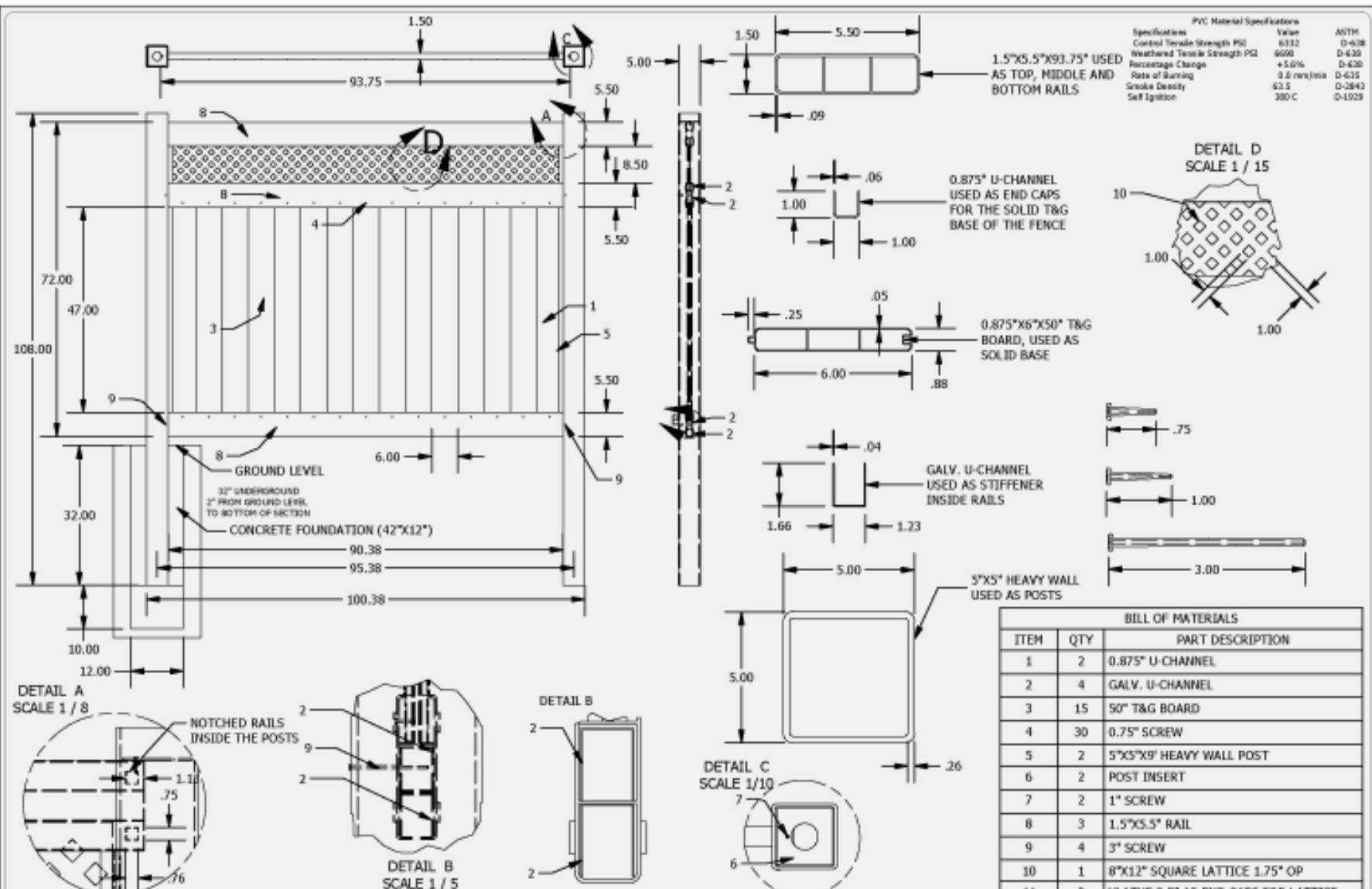
www.IllusionsFence.com

SHEET

3

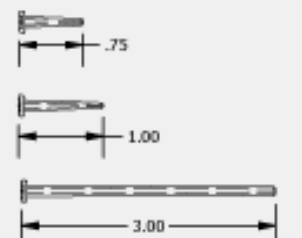
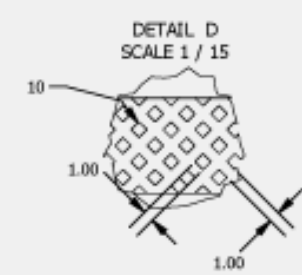
SHEET 3 OF 18
 10-08-09

VFD 10/10/09 ILLUSIONS FENCE 9200



PVC Material Specifications

Specification	Value	ASTM
Control Tensile Strength PSI	6312	D-638
Weathered Tensile Strength PSI	6000	D-638
Percentage Change	+5.0%	D-638
Rate of Burning	0.5 mm/min	D-635
Smoke Density	63.5	D-2842
Self Ignition	300 C	D-1929



BILL OF MATERIALS

ITEM	QTY	PART DESCRIPTION
1	2	0.875" U-CHANNEL
2	4	GALV. U-CHANNEL
3	15	50" T&G BOARD
4	30	0.75" SCREW
5	2	5"X5"X9" HEAVY WALL POST
6	2	POST INSERT
7	2	1" SCREW
8	3	1.5"X5.5" RAIL
9	4	3" SCREW
10	1	8"X12" SQUARE LATTICE 1.75" OP
11	2	VLATUF 8.5" AS END CAPS FOR LATTICE

FRED S. CARDWELL, P.E.
 LICENSE# 15607
 3908 SOUTH BELCHER RD
 BLVD-A / UNIT 213
 LARGO, FLORIDA 33775
 PHONE: 727-524-1805
 FAX: 727-524-1299

THIS DRAWING IS NOT VALID UNLESS
 SIGNED IN PURPLE INK

MIAMI-DADE COUNTY 75MPH WIND LOAD FOR HIGH VELOCITY HURRICANE ZONE

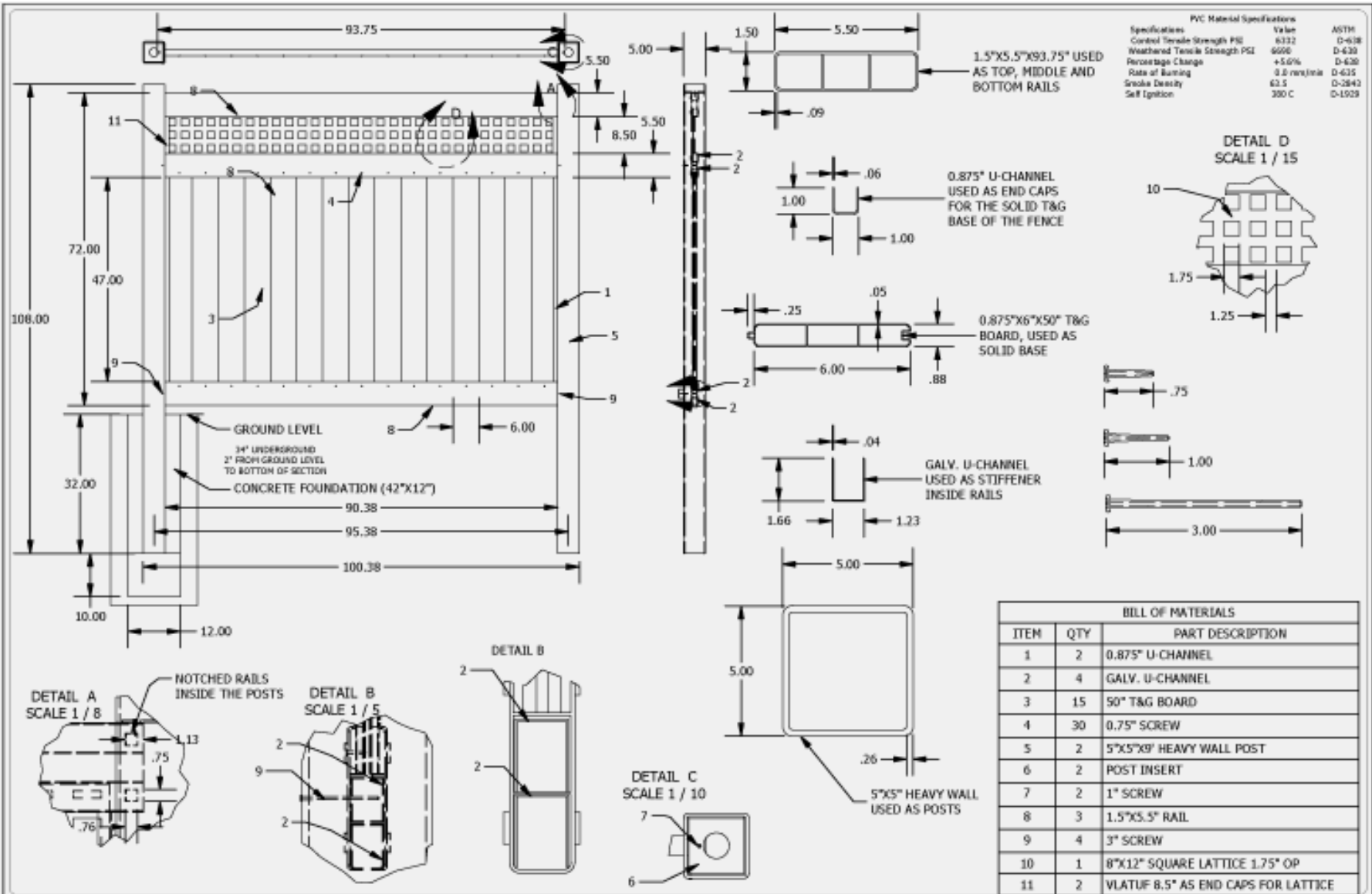
STYLE#	DESCRIPTION
V3215DS-6	Vinyl 6' High Tongue & Groove with Small Diagonal Lattice Top

Eastern Wholesale Fence, Inc. - 274 Middle Island Rd. Medford, NY 11763

www.IllusionsFence.com

SHEET
4
 SHEET 4 OF 18
 10-08-09

WFLA-TV 2009 12-10-09 10:00 AM



FRED S. CARDWELL, P.E.

FLORDAP 13807
1800 SOUTH BELCHER RD
BLDG-A / UNIT 211
LARGO, FLORIDA 33771
VOICE: 727-524-1965
FAX: 727-524-1299

THIS DRAWING IS NOT VALID UNLESS
SIGNED IN PURPLE INK

MIAMI-DADE COUNTY 75MPH WIND LOAD FOR HIGH VELOCITY HURRICANE ZONE

STYLE#

DESCRIPTION

V3215SQ-6

Vinyl 6' High Tongue &
Groove with Square Lattice Top

Eastern Wholesale Fence, Inc. - 274 Middle Island Rd. Medford, NY 11763

Illusions
FENCE SYSTEMS

www.IllusionsFence.com

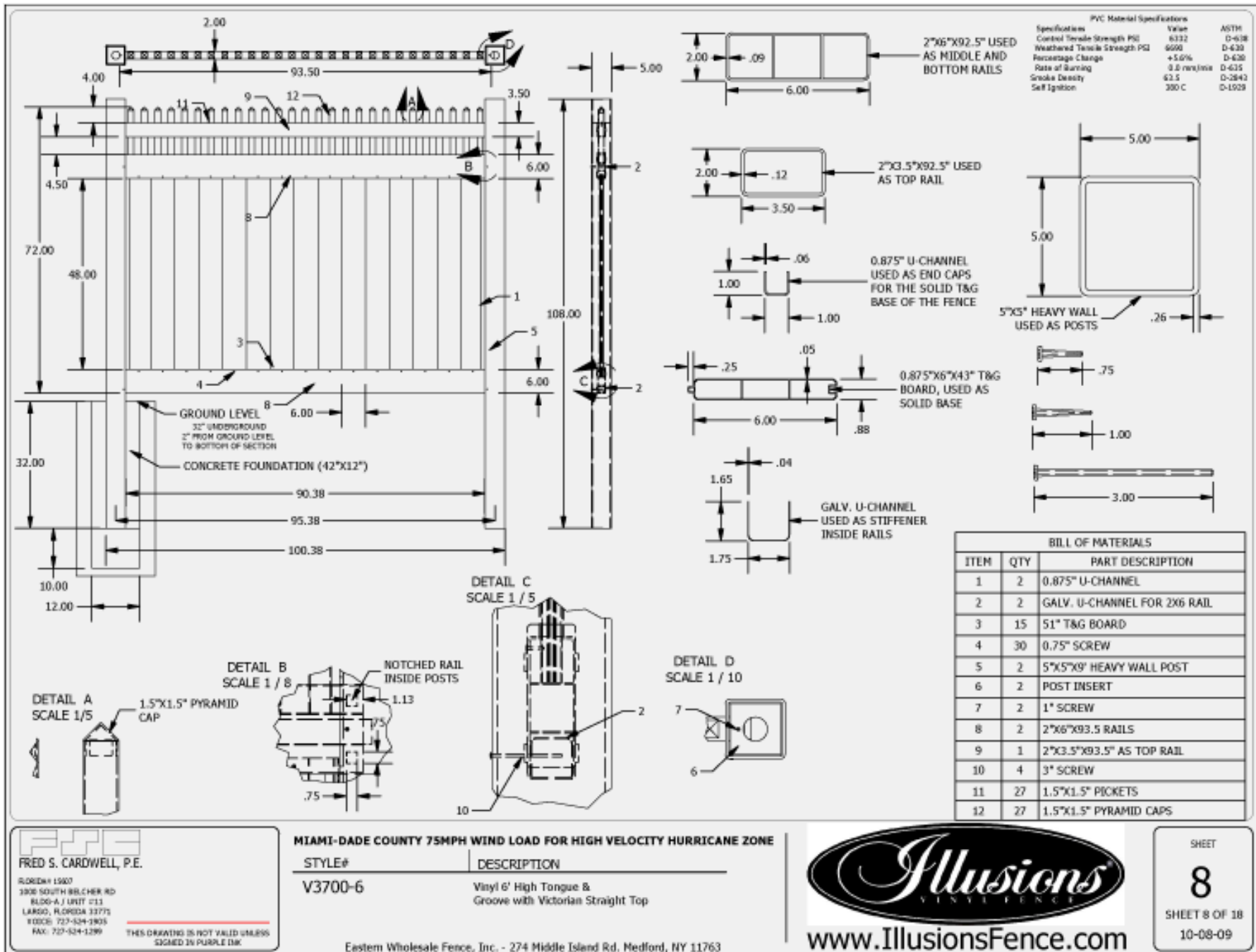
SHEET

5

SHEET 5 OF 18

10-08-09

PRO: 101100 12.00.09 10.00.00



FRED S. CARDWELL, P.E.

FLORIDA 15607
2908 SOUTH WILCHER RD
BLDG-AJ UNIT C13
LARGO, FLORIDA 33775
PHONE: 727-624-1905
FAX: 727-624-1299

THIS DRAWING IS NOT VALID UNLESS
SIGNED IN PURPLE INK

MIAMI-DADE COUNTY 75MPH WIND LOAD FOR HIGH VELOCITY HURRICANE ZONE

STYLE#	DESCRIPTION
V3700-6	Vinyl 6' High Tongue & Groove with Victorian Straight Top

Eastern Wholesale Fence, Inc. - 274 Middle Island Rd. Medford, NY 11763



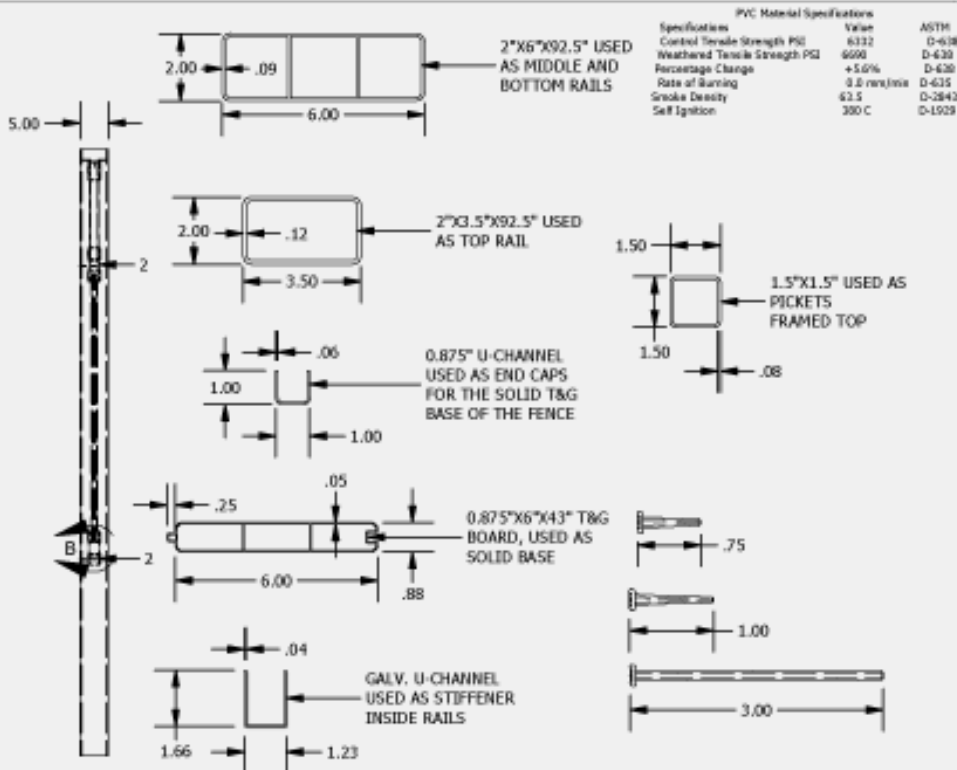
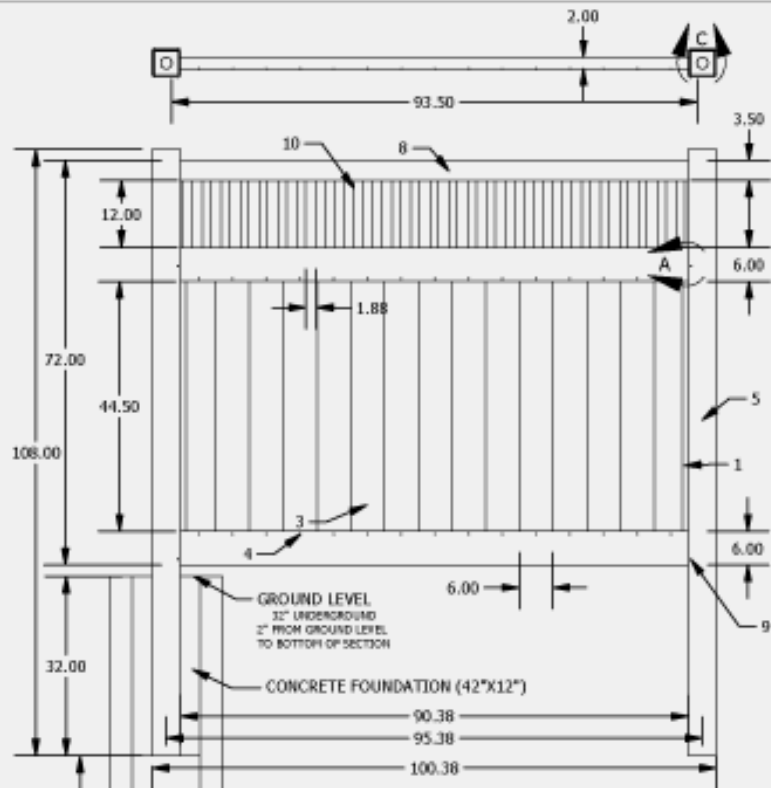
www.IllusionsFence.com

SHEET

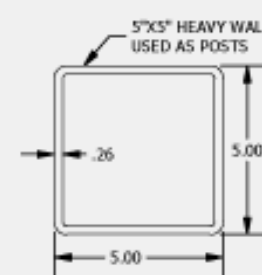
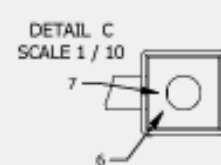
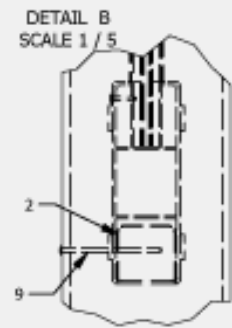
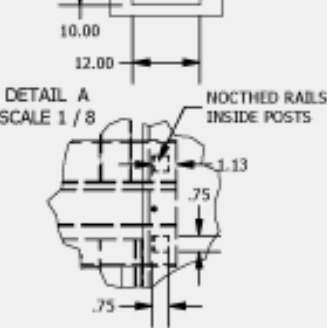
8

SHEET 8 OF 18
10-08-09

WIND TEST DATA (LARGE) MODEL 6020



PVC Material Specifications		
Specifications	Value	ASTM
Control Tensile Strength PSI	6332	D-638
Weathered Tensile Strength PSI	6500	D-632
Percentage Change	+5.0%	D-630
Rate of Burning	0.5 mm/min	D-635
Smoke Density	62.5	D-2843
Self Ignition	300 C	D-1529



BILL OF MATERIALS		
ITEM	QTY	PART DESCRIPTION
1	2	0.875" U-CHANNEL
2	2	GALV. U-CHANNEL FOR 2X6 RAIL
3	15	47.75" T&G BOARD
4	32	0.75" SCREW
5	2	5"x5"x9" HEAVY WALL POST
6	2	POST INSERT
7	2	2"x6"x93.5 RAILS
8	1	2"x3.5"x93.5" AS TOP RAIL
9	4	3" SCREW
10	27	1.5"x1.5" PICKETS

FRED S. CARDWELL, P.E.
 FLORENCE 15602
 3300 SOUTH BELCHER RD
 BLVD-A J UNIT #13
 LARGO, FLORIDA 33775
 PHONE: 727-524-1305
 FAX: 727-524-1299
 THIS DRAWING IS NOT VALID UNLESS
 SIGNED IN PURPLE INK

MIAMI-DADE COUNTY 75MPH WIND LOAD FOR HIGH VELOCITY HURRICANE ZONE

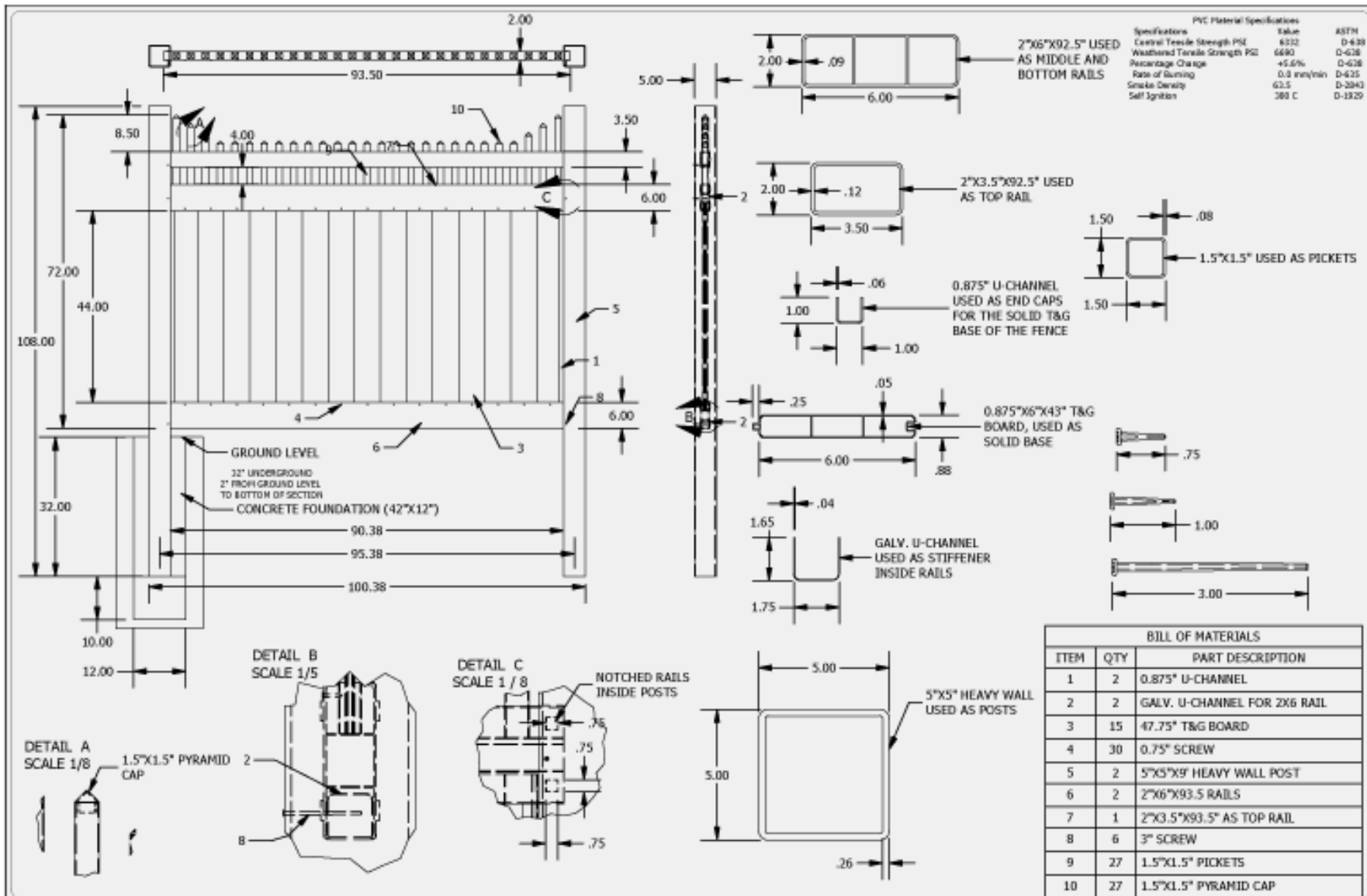
STYLE#	DESCRIPTION
V3701-6	Vinyl 6' High Tongue & Groove Solid Panel

Eastern Wholesale Fence, Inc. - 274 Middle Island Rd. Medford, NY 11763



SHEET
9
 SHEET 9 OF 18
 10-08-09

VPD 10/10/09 11:00AM PAGE 9/18



FRED S. CARDWELL, P.E.

FLORIDA 15607
 3908 SOUTH BILCHER RD
 BLDG-A / UNIT 013
 LARGO, FLORIDA 33175
 PHONE: 727-524-1903
 FAX: 727-524-1289

THIS DRAWING IS NOT VALID UNLESS
 SIGNED IN PURPLE INK

MIAMI-DADE COUNTY 75MPH WIND LOAD FOR HIGH VELOCITY HURRICANE ZONE

STYLE#

V3706-6

DESCRIPTION

Vinyl 6' High Tongue &
 Groove with Victorian Stepped Top

Eastern Wholesale Fence, Inc. - 274 Middle Island Rd. Medford, NY 11763



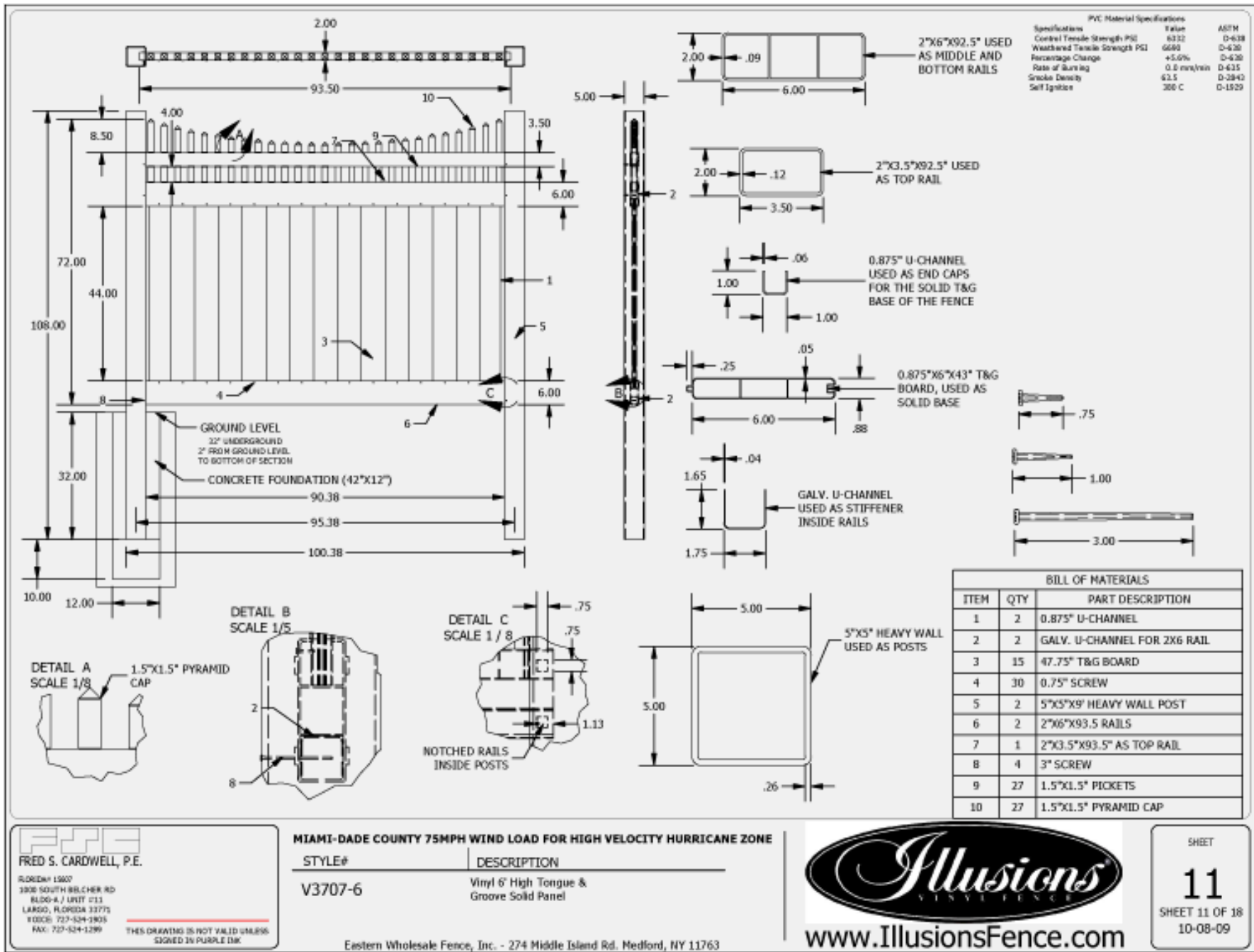
www.IllusionsFence.com

SHEET

10

SHEET 10 OF 18
 10-08-09

9810 101 ILLUSIONS FENCE 0309



FRED S. CARDWELL, P.E.

FLORIDA 15607
3908 SOUTH WILCHER RD
BUSSA 4, J UNIT 013
LARGO, FLORIDA 33775
PHONE: 727-524-1205
FAX: 727-524-1299

THIS DRAWING IS NOT VALID UNLESS
SIGNED IN PURPLE INK

MIAMI-DADE COUNTY 75MPH WIND LOAD FOR HIGH VELOCITY HURRICANE ZONE

STYLE#

V3707-6

DESCRIPTION

Vinyl 6' High Tongue & Groove Solid Panel

Eastern Wholesale Fence, Inc. - 274 Middle Island Rd. Medford, NY 11763



www.IllusionsFence.com

SHEET

11

SHEET 11 OF 18
10-08-09

profencesupply.com

toll free 866.415.6609